

Service Manual

74 SR580 /01B /02B
SR580 U
SR585 U

Audio/Video Receiver

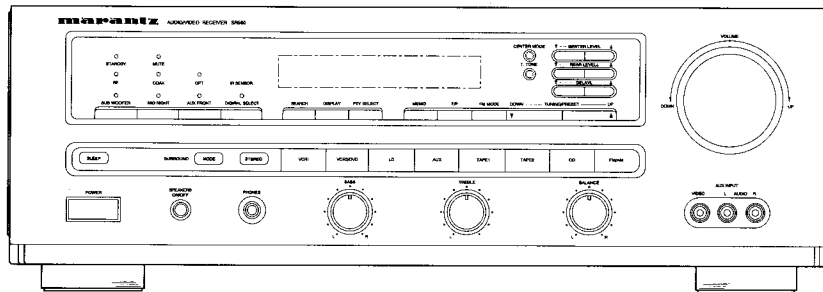


TABLE OF CONTENTS

SECTION	PAGE
1. TECHNICAL SPECIFICATIONS	1
2. BLOCK DIAGRAM	3
3. WIRING DIAGRAM	5
4. SCHEMATIC DIAGRAMS AND PARTS LOCATIONS	7
5. COMPONENT DESCRIPTIONS	38
6. ALIGNMENT PROCEDURES	42
7. EXPLODED VIEW AND PARTS LIST	45
8. ELECTRICAL PARTS LIST	47

Please use this service manual with referring to the user guide (D.F.U.) without fail.

marantz®

model SR580/SR585

4822 725 51176
First issue: 1998/08
238W855010 3K

1. TECHNICAL SPECIFICATIONS

A. FRONT AMP SECTION

(Condition : CD input, STEREO MODE, SUB-WOOFER OFF, 8 ohms load)

Description	Unit	Nominal	Limit	Condition
RMS Output Power	W	≥ 70	≥ 67	Both channels driven at 20 Hz, 0.7 % THD
	W	≥ 70	≥ 67	Both channels driven at 1 kHz, 0.7 % THD
Inter-modulation Distortion	%	≤ 0.05	≤ 0.09	(60 Hz : 7 kHz = 4 : 1 SMPTE), at 1 W output
Total Harmonic Distortion	%	≤ 0.09	≤ 0.2	Both channels driven at 20 Hz, at 1 W output
	%	≤ 0.09	≤ 0.2	Both channels driven at 1 kHz, at 1 W output
	%	≤ 0.2	≤ 0.3	Both channels driven at 20 kHz, at 1 W output
Frequency Response	Hz	10~60k	20~50k	At 1 W output, -3dB
Input Sensitivity	mV	200±20	200±30	At 70 W output, 1 kHz
Tone control	Bass	dB ±10±1	±10±2	At 1 W output, 100 Hz
	Treble	dB ±10±1	±10±2	At 1 W output, 10 kHz
Channel Separation	dB	≥ 55	≥ 45	At 70 W -3 dB, 1 kHz, input shorted
	dB	≥ 45	≥ 40	At 70 W -3 dB, 10 kHz, input shorted
Signal to Noise Ratio	dB	≥ 93	≥ 90	At 70 W output, IHF "A" weighted, input shorted

B. CENTER AMP SECTION

(Condition : VCR1 350 mV (L+R signal) input level at 1 kHz, master vol. max, center level adj., WIDE mode, 8 ohm load)

Description	Unit	Nominal	Limit	Condition
RMS Output Power	W	≥ 65	≥ 60	At 1 kHz, 0.3 % THD
Total Harmonic Distortion	%	≤ 0.2	≤ 0.3	At 1 kHz, at 1 W output
Signal to Noise Ratio	dB	≥ 70	≥ 65	At 60 W output, IHF "A" weighted, PRO-LOGIC
Frequency Response	Hz	120~20k	135~18k	At 1 W output, -3 dB, NORMAL
	Hz	15~20k	20~18k	At 1 W output, -3 dB, WIDE

C. REAR AMP SECTION

(Condition : VCR1 350 mV (L-R signal) input level at 1 kHz, master vol. max, rear level adj., 8 ohm load)

Description	Unit	Nominal	Limit	Condition
RMS Output Power	W	≥ 65	≥ 60	At 1 kHz, 1 % THD
Total Harmonic Distortion	%	≤ 0.7	≤ 1	At 1 kHz, at 1 W output
Signal to Noise Ratio	dB	≥ 70	≥ 65	At 60 W output, IHF "A" weighted, PRO-LOGIC
	dB	≥ 70	≥ 65	At 60 W output, IHF "A" weighted, THEATER
Frequency Response	Hz	80~7k	100~6k	At 1 W output, -3 dB, PRO-LOGIC

D. AC-3 SECTION

(Condition : LD RF input, Center : Wide mode, Sub-woofer : Yes, Main vol. : 58, Test point : Pre-out)

Test Disc : DOLBY TEST LASER DISC VERSION 1.0

Description	Unit	Nominal	Limit	Condition
Output Level	mV	800±200	800±300	At 1 kHz, chapter 38
	V	4±0.3	4±0.5	At 30 Hz, chapter 18
Signal to Noise Ratio (IHF "A" Weighted)	dB	≥ 73	≥ 70	At 1 kHz, chapter 8, 10, 12, 14, 16
	dB	≥ 65	≥ 60	At 30 Hz, chapter 18
Total Harmonic Distortion	%	≤ 0.3	≤ 0.5	At 1 kHz, chapter 8, 10, 12, 14, 16
	%	≤ 0.1	≤ 0.2	At 30 Hz, chapter 18
Channel Separation (At 1 kHz)	dB	≥ 55	≥ 50	Chapter 8 (12), L (R) channel → R (L) channel
	dB	≥ 65	≥ 60	Chapter 8 (12), L (R) channel → C/SL/SR channels
	dB	≥ 65	≥ 60	Chapter 10, C channel → L/R/SL/SR channels
	dB	≥ 65	≥ 60	Chapter 14 (16), SL (SR) channel → SR (SL) channel
	dB	≥ 55	≥ 50	Chapter 14 (16), SL (SR) channel → C/L/R channels
	dB	≥ 35	≥ 30	Chapter 8/10/12/14/16, L/C/R/SL/SR → sub-woofer
Frequency Response except Sub-woofer	dB	≥ 20	≥ 16	At 30 Hz, chapter 20, except C channel
	B	≥ 15	≥ 12	At 30 Hz, chapter 20, only C channel
(Ref. : 1 kHz, Chapter 38)	dB	7.5±0.5	7.5±1	At 30 Hz, chapter 20, sub-woofer : NO, Only L/R ch.
Sub-woofer Response	dB	≥ 40	≥ 35	At 1 kHz, Chapter 38 (Ref. : 30 Hz, Chapter 20)

E. FM SECTION

(Condition : 65 dBf antenna input, 1 kHz MOD., 75 kHz DEV.)

Description	Unit	Nominal	Limit	Condition
Tuning Frequency Range	MHz	87.5~107.9		U.S.A., Step : 100 kHz (Auto), 50 kHz (Manual)
	MHz	87.5~108		Europe, Multi, Step : 100 kHz (Auto), 50 kHz (Manual)
Usable Sensitivity	dBf	≤ 17.2	≤ 20.2	U.S.A., at 26 dB S/N
	dBf	≤ 17.2	≤ 20.2	Europe, Multi, at 30 dB S/N
Image Rejection Ratio	dB	≥ 65	≥ 60	U.S.A., at 106 MHz
	dB	≥ 80	≥ 70	Europe, Multi, at 106 MHz
IF Rejection Ratio	dB	≥ 80	≥ 70	U.S.A., at 90 MHz
	dB	≥ 80	≥ 70	Europe, Multi, at 90 MHz
Full Limiting	dBf	≤ 12.2	≤ 15.2	U.S.A., at -3 dB
	dBf	≤ 17.2	≤ 20.2	Europe, Multi, at -3 dB
Quieting Sensitivity	dBf	≤ 20.2	≤ 23.2	U.S.A., at -50 dB, MONO
	dBf	≤ 45.3	≤ 48.3	U.S.A., at -50 dB, STEREO
	dBf	≤ 20.2	≤ 23.2	Europe, Multi, at -46 dB, MONO
	dBf	≤ 45.3	≤ 48.3	Europe, Multi, at -46 dB, STEREO
Signal to Noise Ratio	dB	≥ 70	≥ 65	MONO, IHF band pass filter, 1 mV input
	dB	≥ 65	≥ 60	STEREO, IHF band pass filter, 1 mV input
Auto Stop Level	dBf	31.2±3	31.2±5	
Output Voltage	mV	500±100	500±150	MONO, at 1 kHz
Supurious Response	dB	≥ 80	≥ 70	U.S.A., with 1/2 IF
	dB	≥ 90	≥ 80	Europe, Multi, with 1/2 IF
Total Harmonic Distortion	%	≤ 0.3	≤ 0.5	MONO, at 1 mV input, 1 kHz
	%	≤ 0.5	≤ 0.8	STEREO, at 1 mV input, 1 kHz

F. MPX SECTION

Description	Unit	Nominal	Limit	Condition
Stereo Separation	dB	≥ 45	≥ 40	At 1 kHz, 100 % MOD., 1 mV input
	dB	≥ 35	≥ 30	At 10 kHz, 100 % MOD., 1 mV input
Automatic Stereo Threshold	dBf	31.2±3	31.2±5	

G. AM SECTION

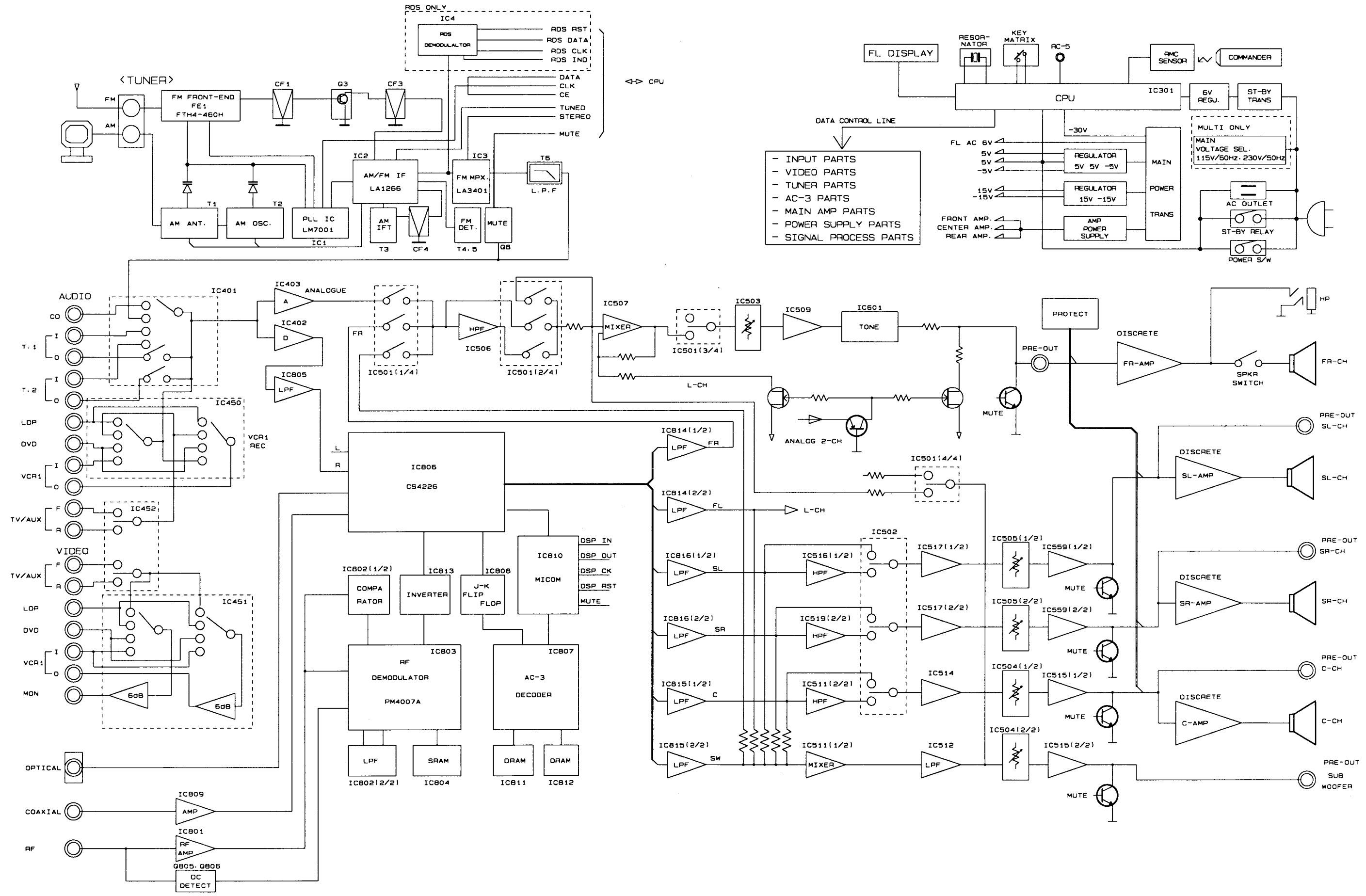
(Condition : 80 dB/m (10 mV/m) antenna input, 400 Hz, 30 % MOD.)

Description	Unit	Nominal	Limit	Condition
Tuning Frequency Range	kHz	520~1710		U.S.A., 10 kHz step
	kHz	522~1611		Europe, Multi, 9 kHz step
Usable Sensitivity	μV/m	≤ 500	≤ 1000	At -20 dB S/N
Image Rejection Ratio	dB	≥ 35	≥ 30	At 1400 kHz (U.S.A.), 1404 kHz (02B, 01B)
AGC Figure of Merit	dB	≥ 55	≥ 50	At 1000 kHz (U.S.A.), 999 kHz (02B, 01B)
Total Harmonic Distortion	%	≤ 1	0:00	At 1000 kHz (U.S.A.), 999 kHz (02B, 01B)
Output Voltage	mV	165±30	165±50	At 1000 kHz (U.S.A.), 999 kHz (02B, 01B)
Audio Response (-6 dB)	Hz	80~2.2K	100~2K	At 1000 kHz (U.S.A.), 999 kHz (02B, 01B)
Selectivity (At 350 μV/m)	dB	≥ 25	≥ 20	At ±10 kHz (U.S.A.), ±9 kHz (02B, 01B)
Signal to Noise Ratio	dB	≥ 40	≥ 35	At 1000 kHz (U.S.A.)
	dB	≥ 45	≥ 40	At 999 kHz (02B, 01B)
Auto Stop Level	μV/m	800 (±5 dB)	800 (±6 dB)	At 1000 kHz (U.S.A.), 999 kHz (02B, 01B)

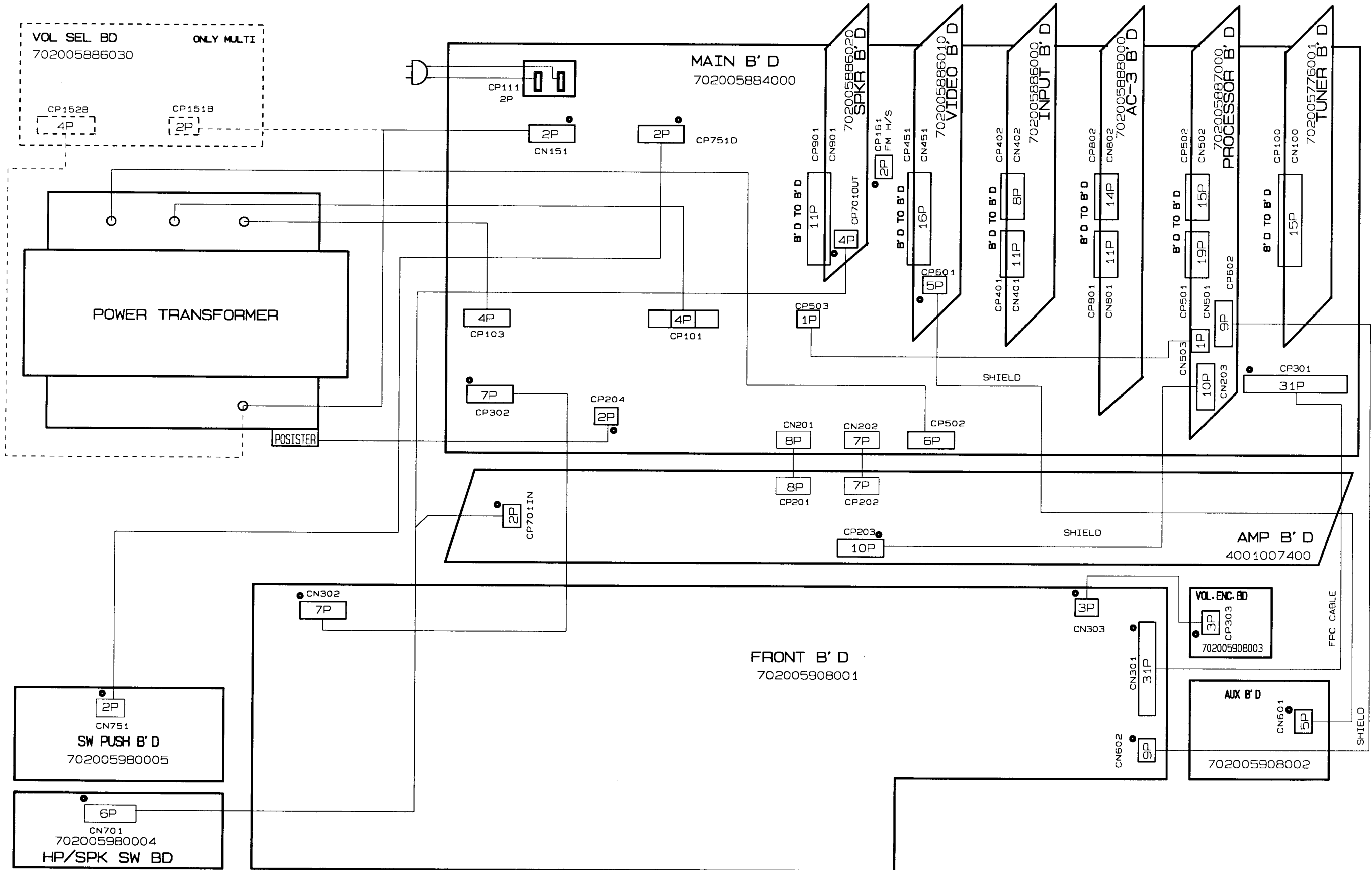
H. GENERAL

Speaker Load Impedance	8 ohm
Power Consumption	
No load, No signal	70 Watts
1/8 W Pmax.	250 Watts
Pmax. (Undistorted) with Outlet	680 Watts
Dimensions	440 X 156 X 380 mm
Weight (Net.)	16.5 kg (36 lbs)
POWER REQUIREMENTS	
U.S.A.	120 V, 60 Hz
02B	230 V, 50 Hz
01B	115 V / 230 V, 50 Hz / 60 Hz

2. BLOCK DIAGRAM

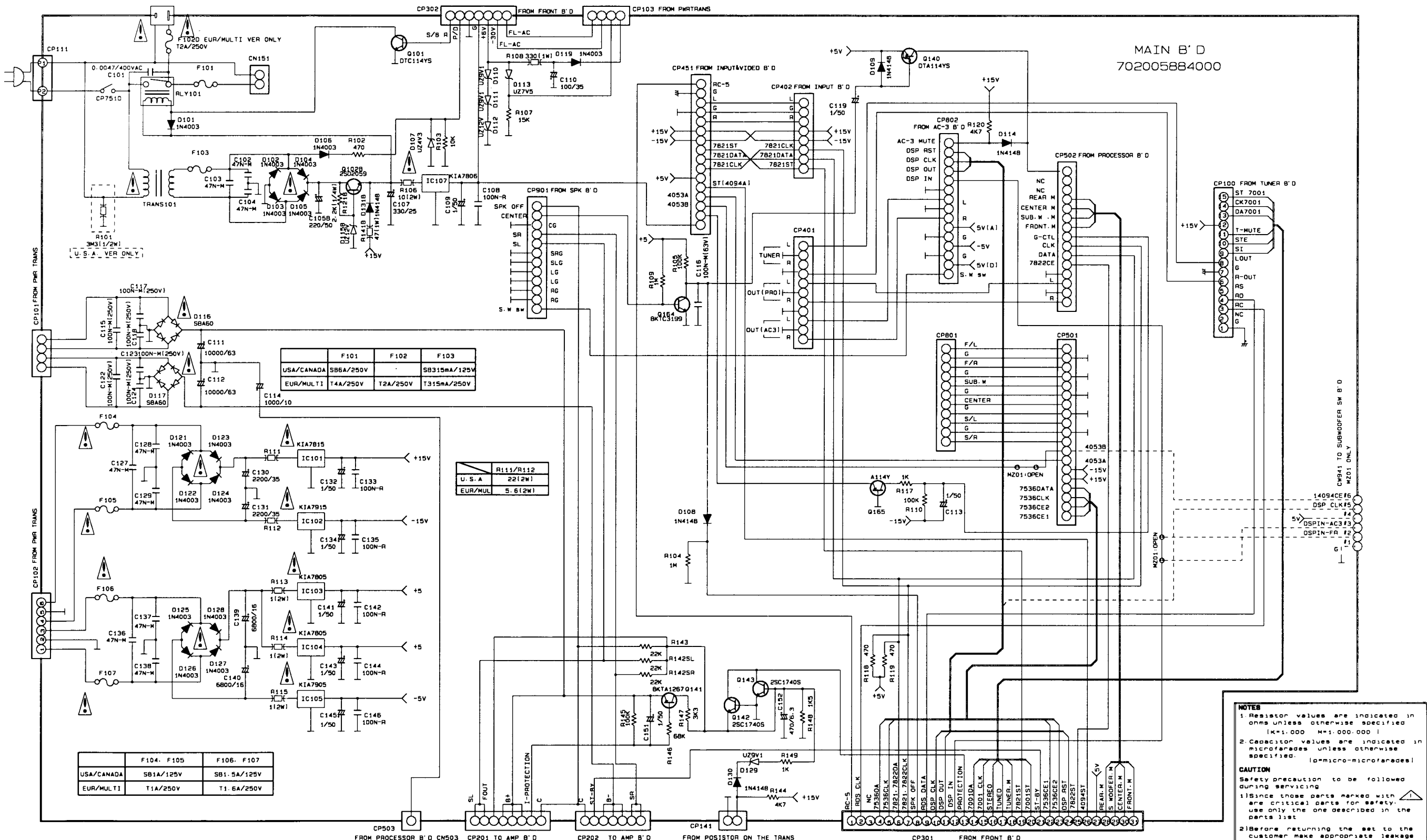


3. WIRING DIAGRAM



4. SCHEMATIC DIAGRAM AND PARTS LAYOUT

MAIN BOARD CIRCUIT DIAGRAM



	F101	F102	F103
USA/CANADA	S86A/250V	T2A/250V	S8315mA/125V
EUR/MULTI	T4A/250V	T2A/250V	T315mA/250V

	R111/R112
U.S.A.	22(2W)
EUR/MUL	5.6(2W)

	F104, F105	F106, F107
USA/CANADA	S81A/125V	S81.5A/125V
EUR/MULTI	T1A/250V	T1.6A/250V

NOTES

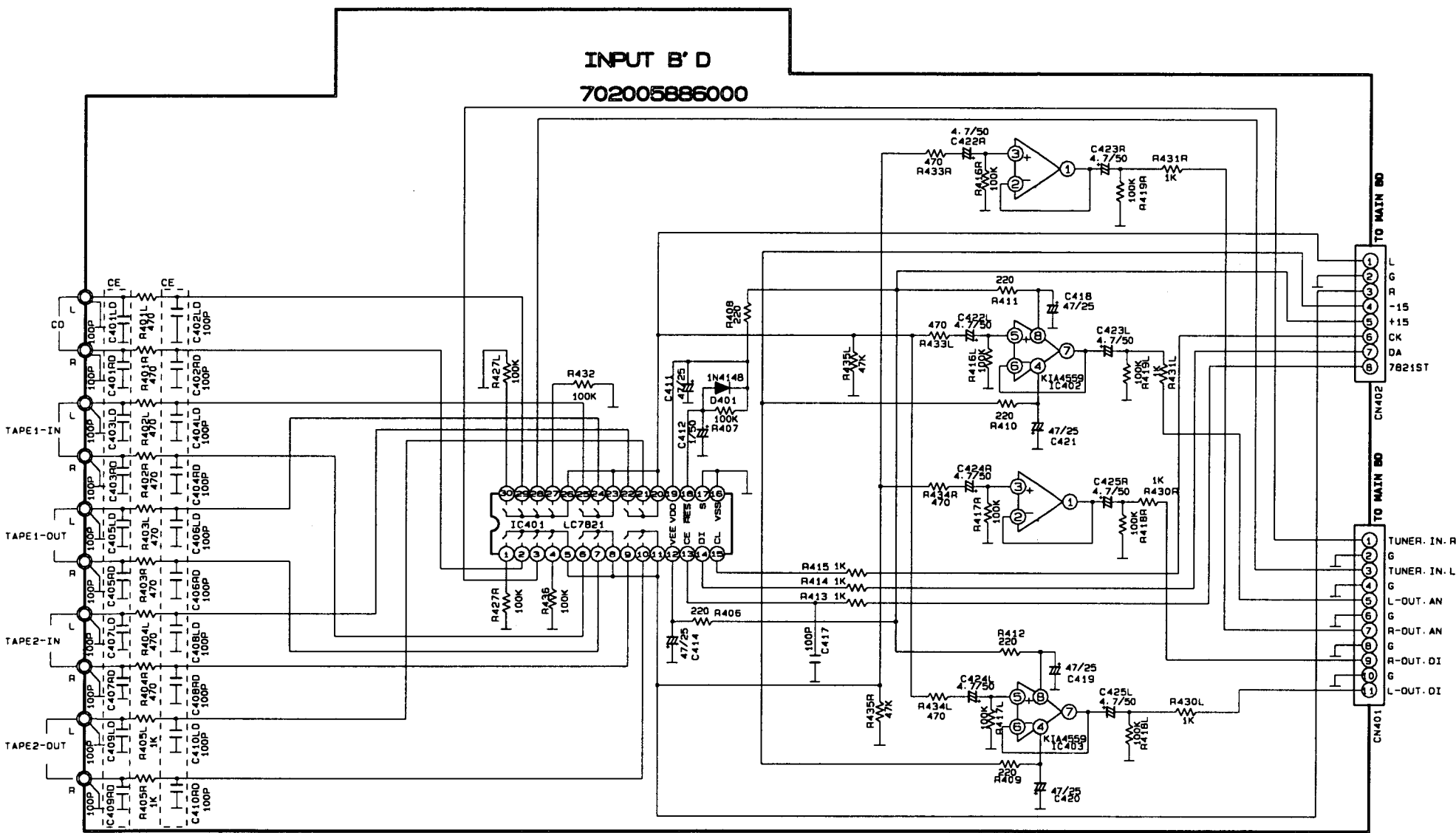
1. Resistor values are indicated in ohms unless otherwise specified (K=1,000 M=1,000,000)
2. Capacitor values are indicated in microfarads unless otherwise specified. (p=micro-microfarads)

CAUTION

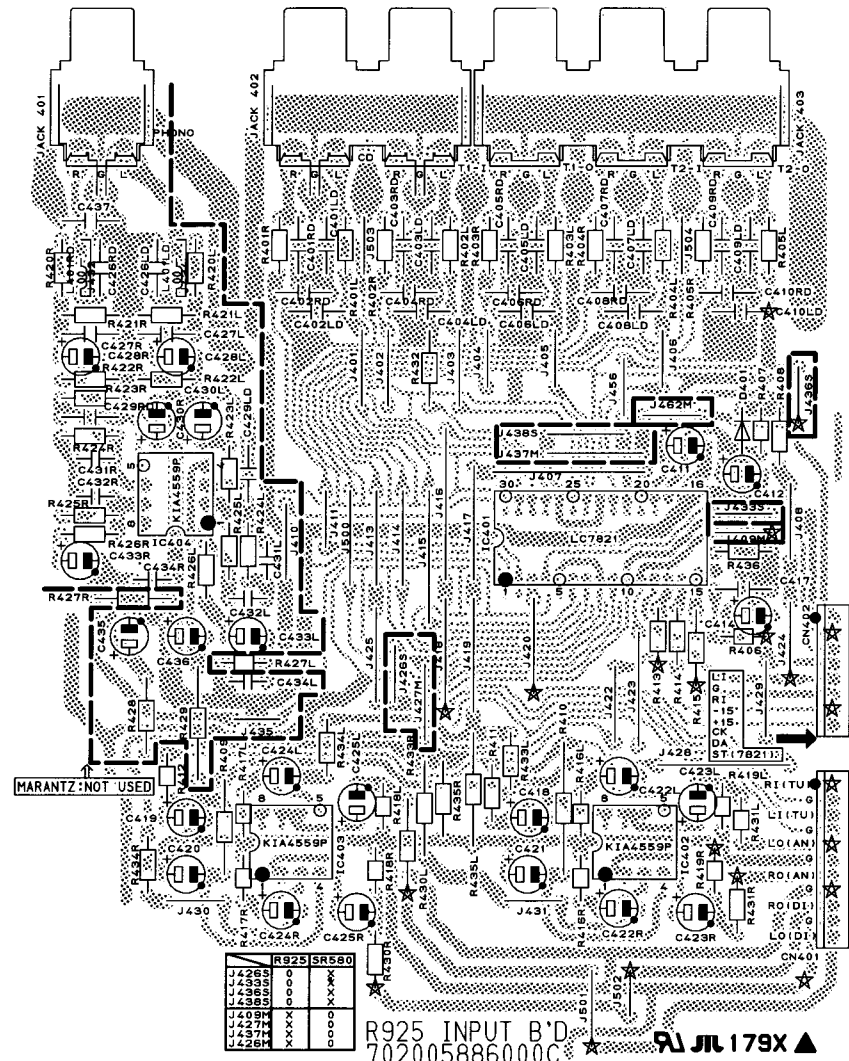
Safety precaution to be followed during servicing:

1. Since those parts marked with a triangle are critical parts for safety, use only the one described in the parts list.
2. Before returning the set to the customer make appropriate leakage current or resistance measurements to determine the exposed parts are properly insulated from the supply circuit.

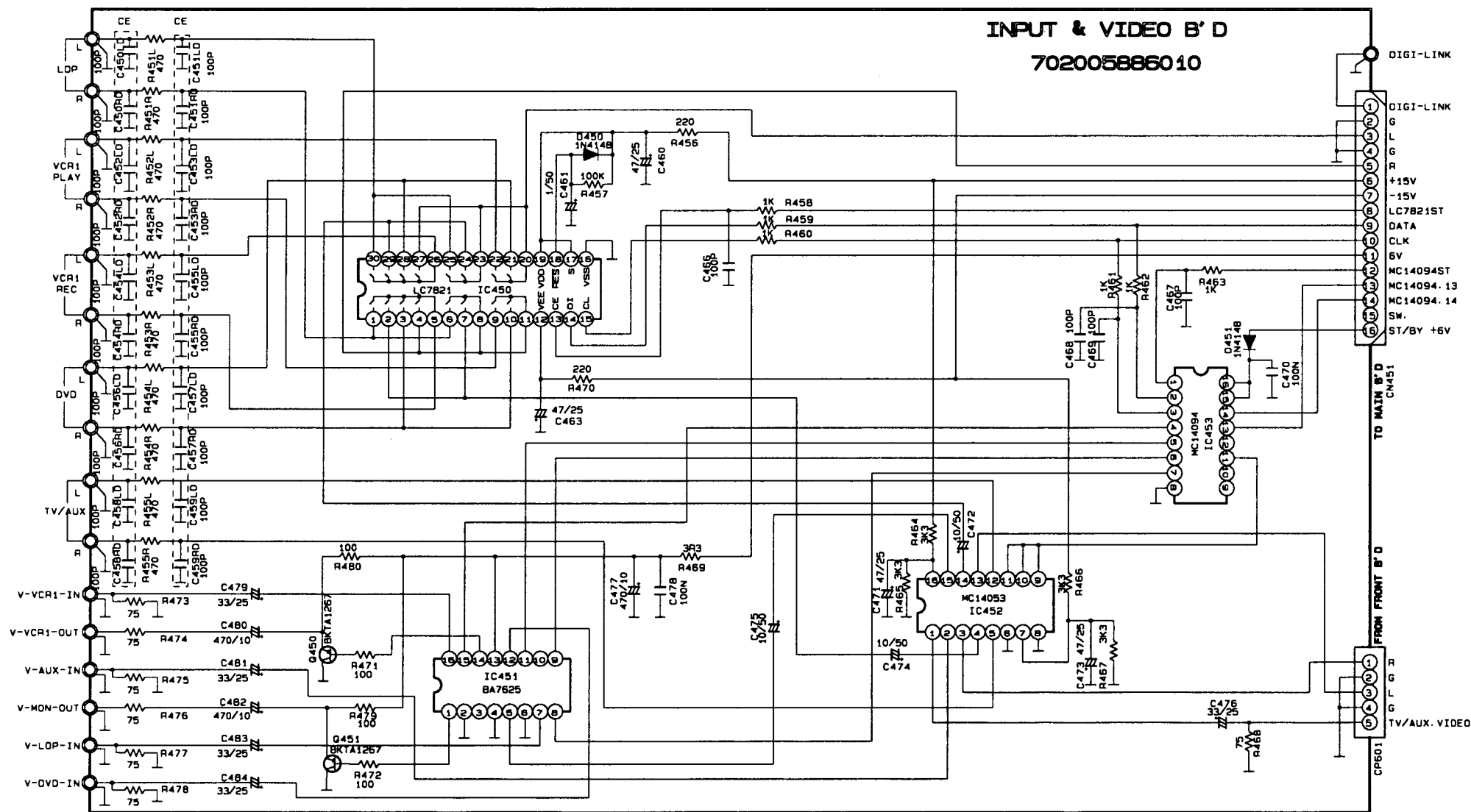
INPUT BOARD CIRCUIT DIAGRAM



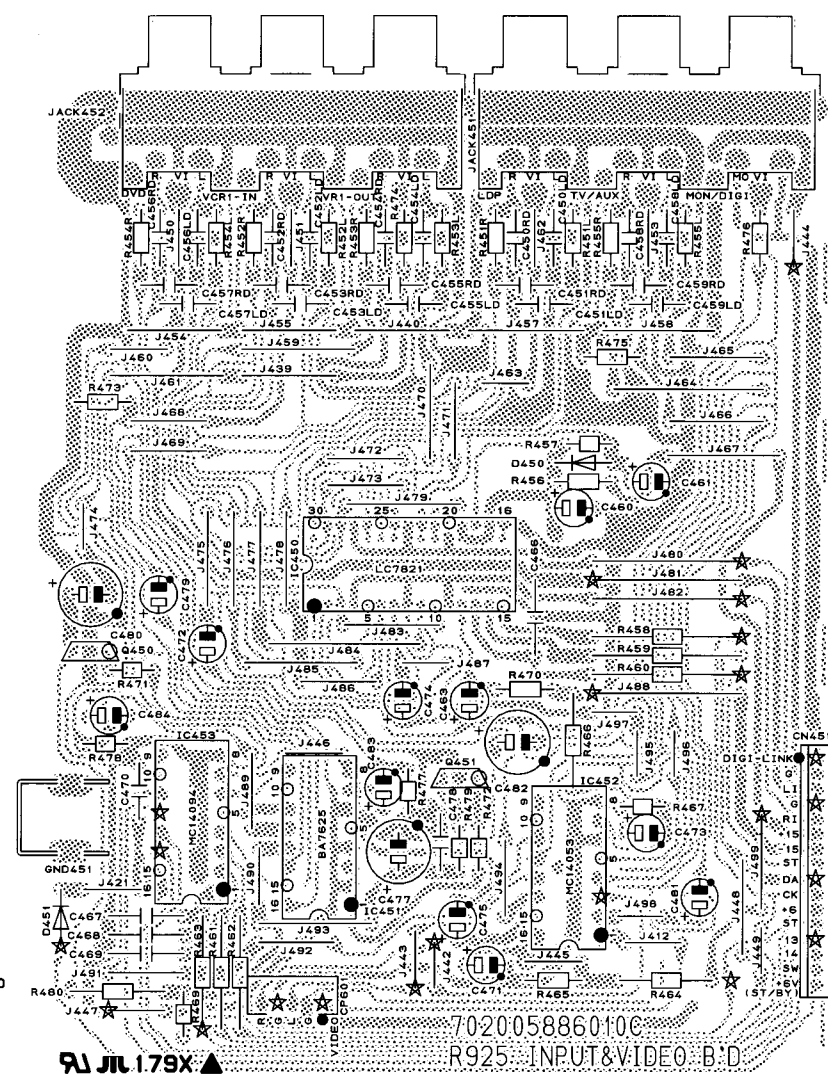
INPUT BOARD LAYOUT DIAGRAM



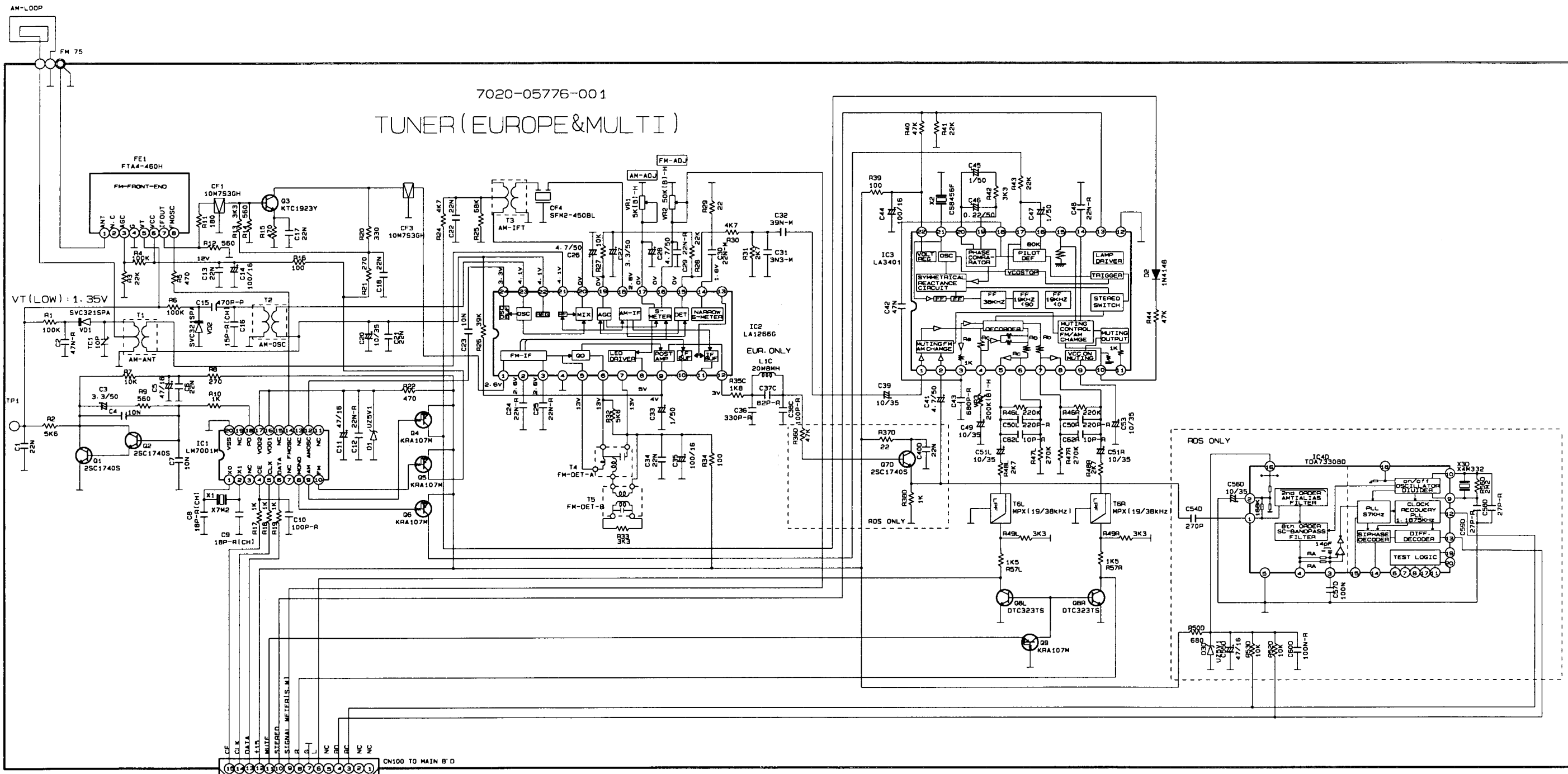
INPUT & VIDEO CIRCUIT DIAGRAM



INPUT & VIDEO BOARD LAYOUT DIAGRAM



TUNER (EUROPE & MULTI) BOARD CIRCUIT DIAGRAM



NOTES

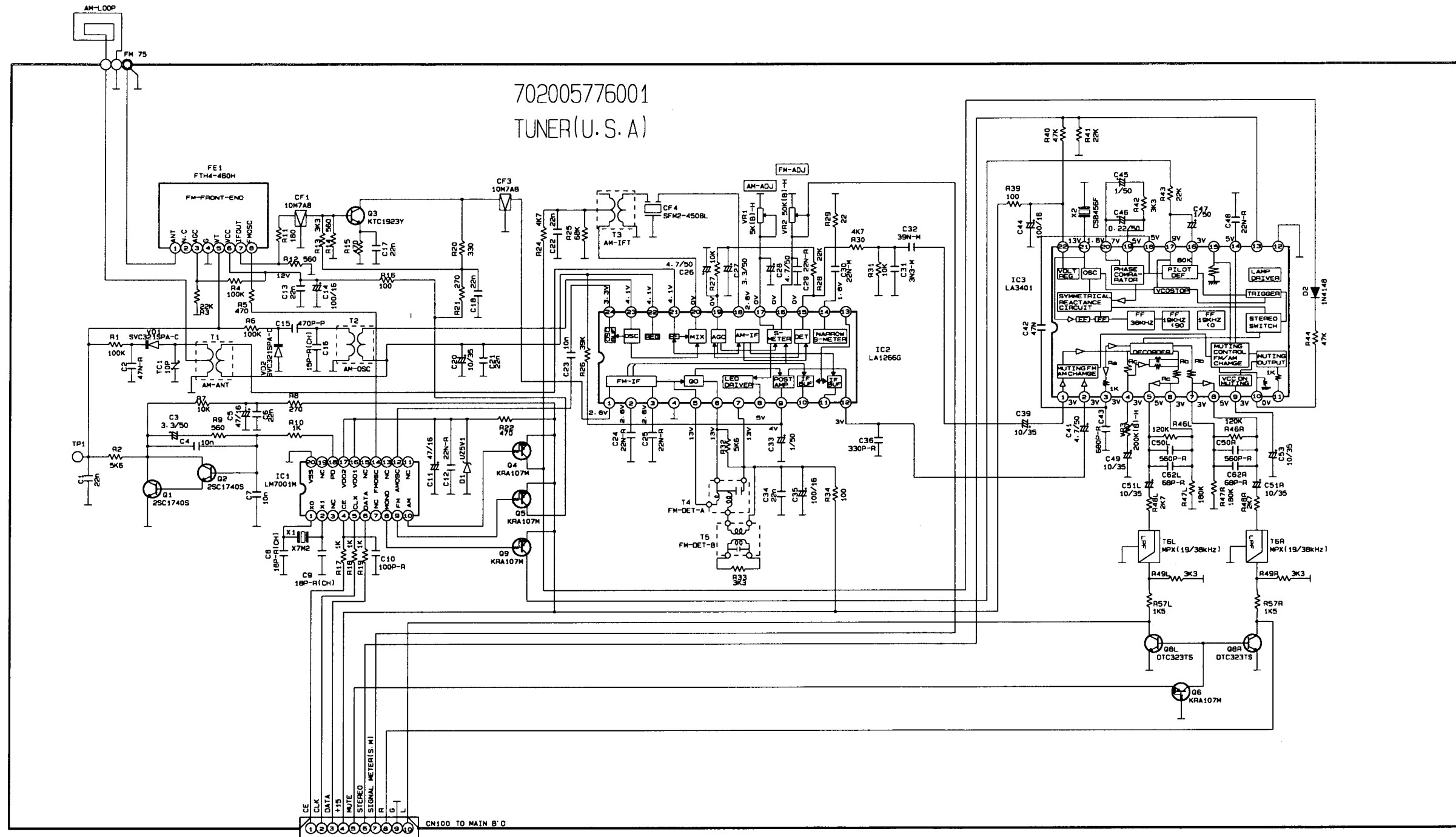
1. Resistor values are indicated in ohms unless otherwise specified.
[K=1,000 M=1,000,000]
2. Capacitor values are indicated in microfarads unless otherwise specified.
[p=micro-microfarads]

CAUTION

Safety precaution to be followed during servicing

- 1) Since those parts marked with are critical parts for safety, use only the one described in the parts list.
- 2) Before returning the set to the customer make appropriate leakage current or resistance measurements to determine the exposed parts are properly insulated from the supply circuit.

TUNER (U.S.A.) BOARD CIRCUIT DIAGRAM



NOTES

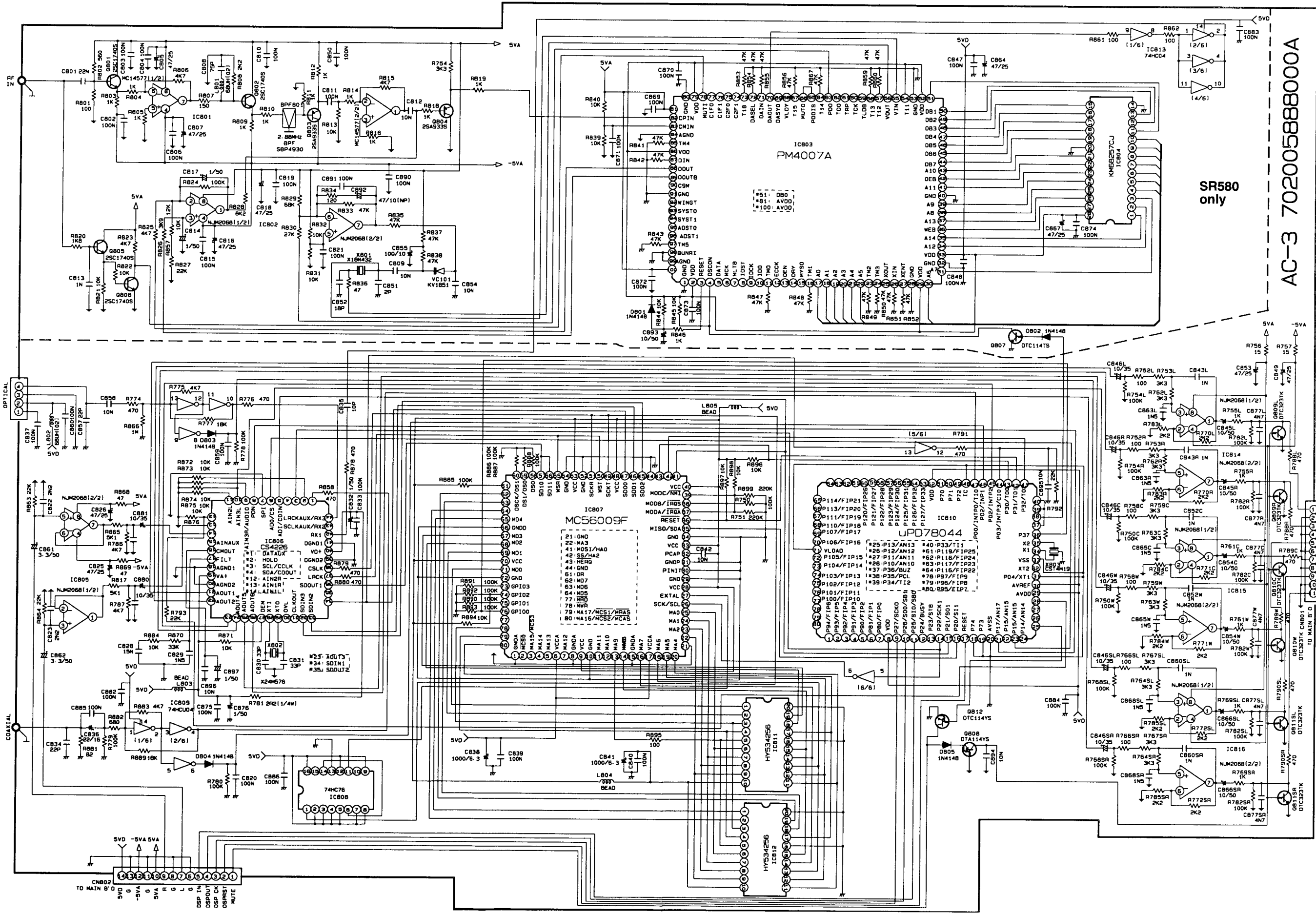
1. Resistor values are indicated in ohms unless otherwise specified (K=1,000 M=1,000,000)
2. Capacitor values are indicated in microfarads unless otherwise specified. (p=micro-microfarads)

CAUTION

Safety precaution to be followed during servicing

- 1) Since those parts marked with are critical parts for safety, use only the one described in the parts list.
- 2) Before returning the set to the customer make appropriate leakage current or resistance measurements to determine the exposed parts are properly insulated from the supply circuit.

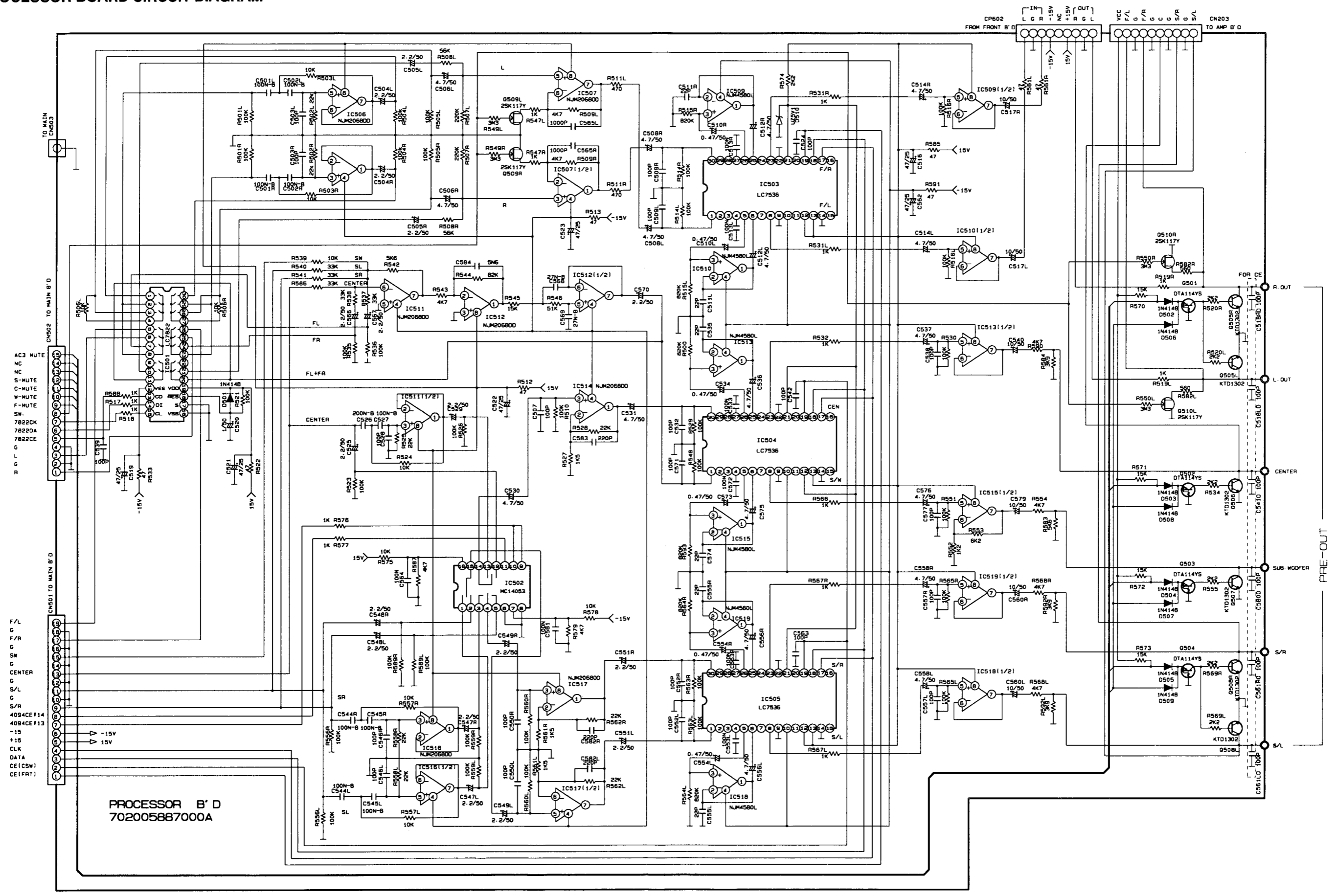
AC-3 BOARD CIRCUIT DIAGRAM



AC-3 70200588800A

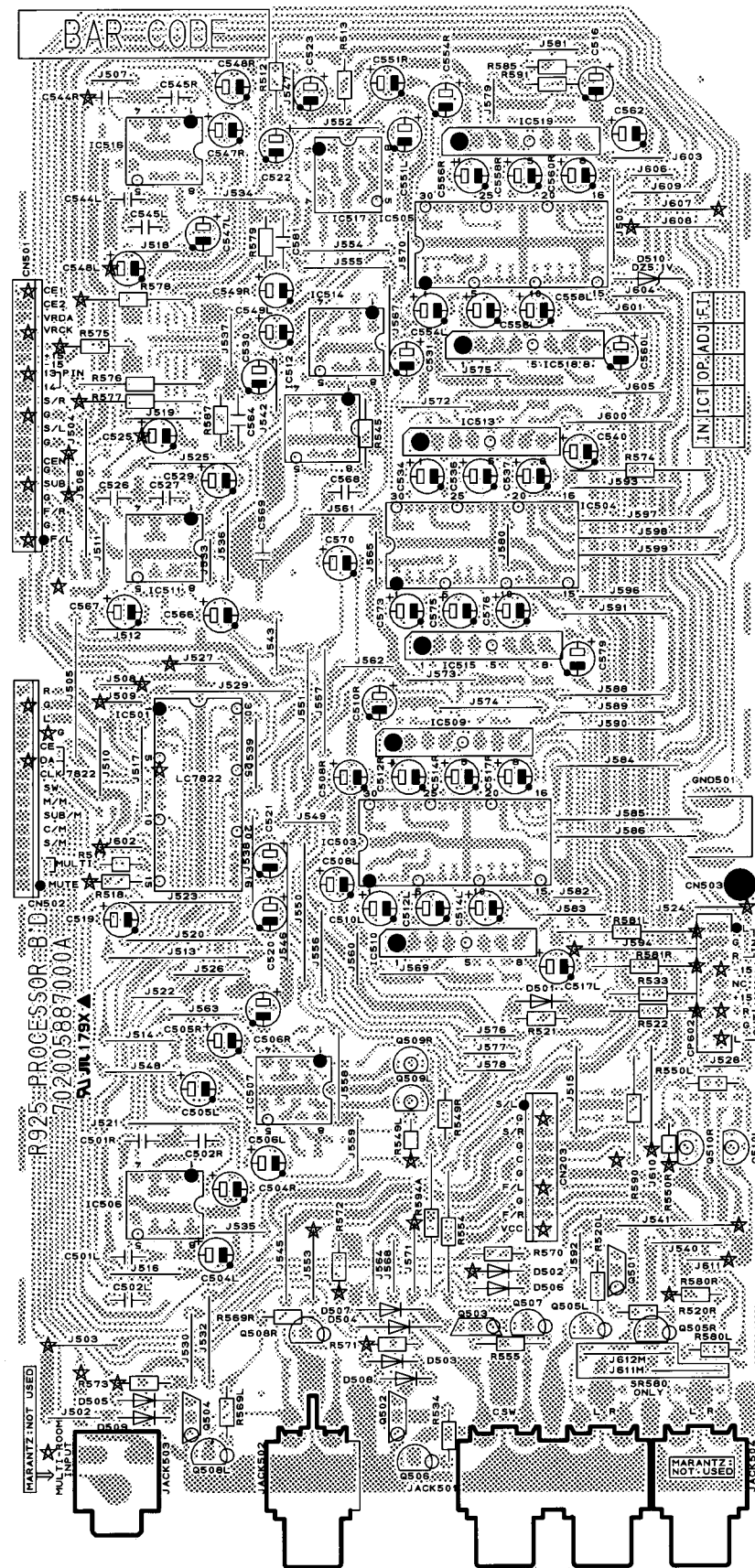
SR580 only

PROCESSOR BOARD CIRCUIT DIAGRAM

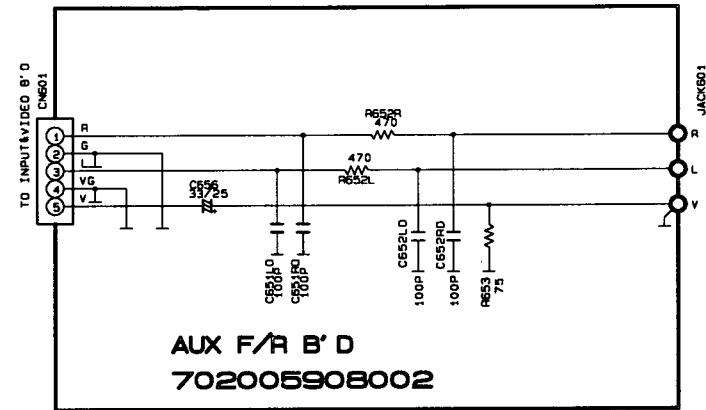


**PROCESSOR B' D
702005887000A**

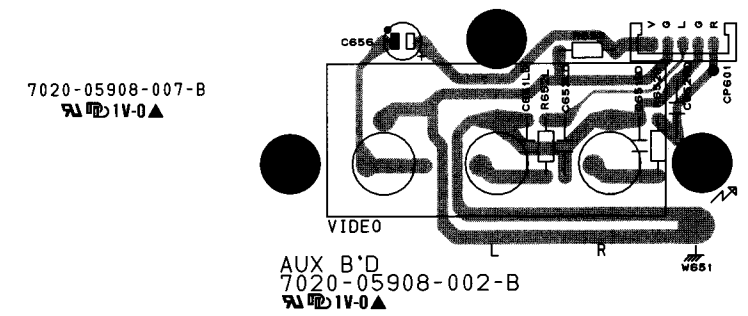
PROCESSOR BOARD LAYOUT DIAGRAM



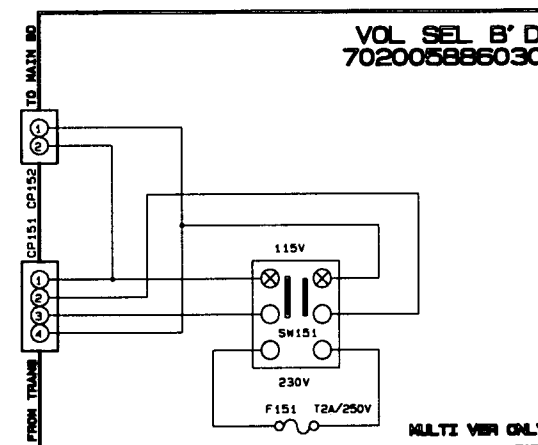
AUX F/R BOARD CIRCUIT DIAGRAM



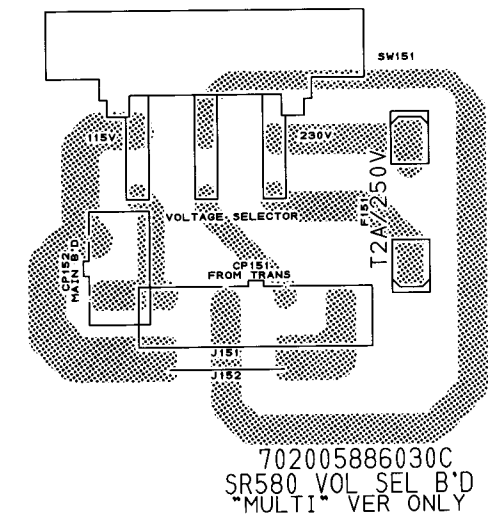
AUX F/R BOARD LAYOUT DIAGRAM



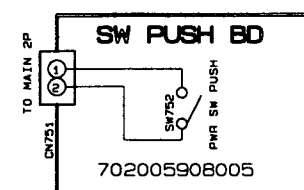
VOL SEL BOARD CIRCUIT DIAGRAM



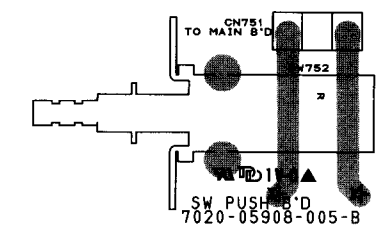
VOL SEL BOARD LAYOUT DIAGRAM



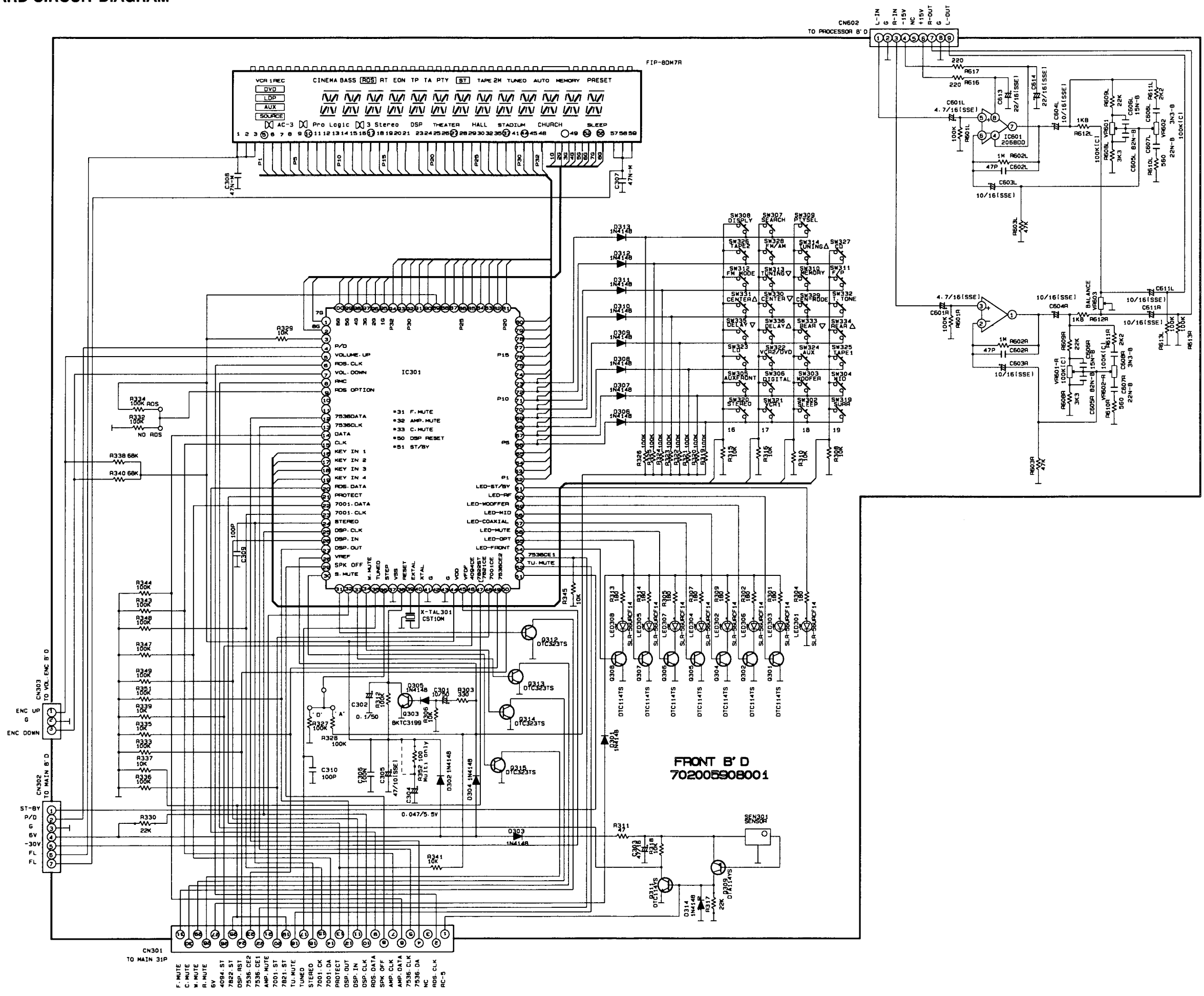
SW PUSH BOARD LAYOUT DIAGRAM



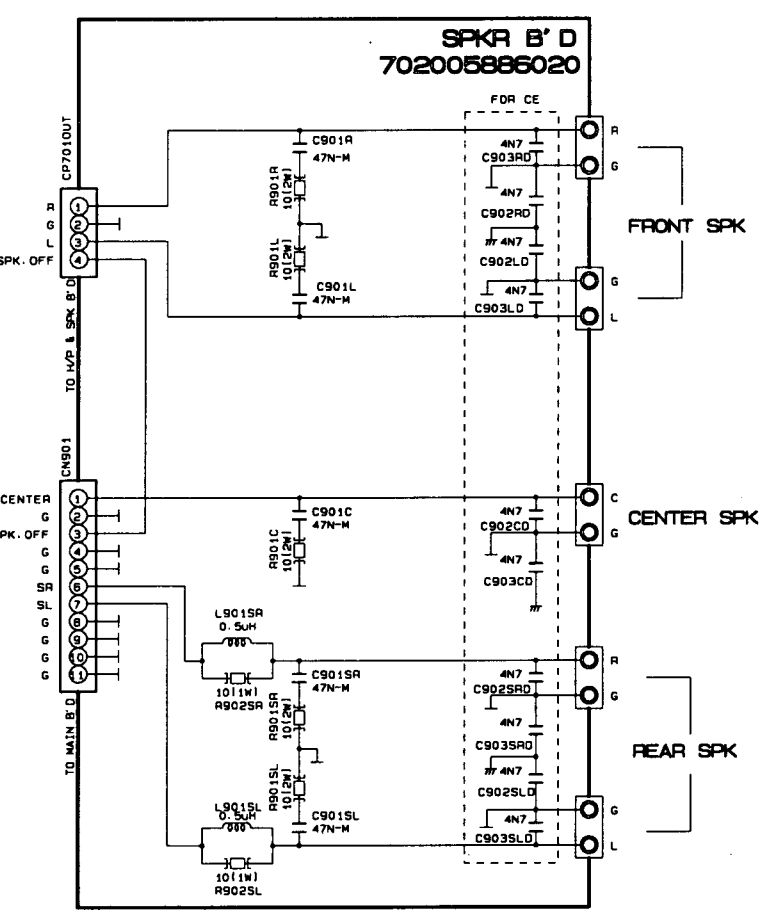
SW PUSH BOARD CIRCUIT DIAGRAM



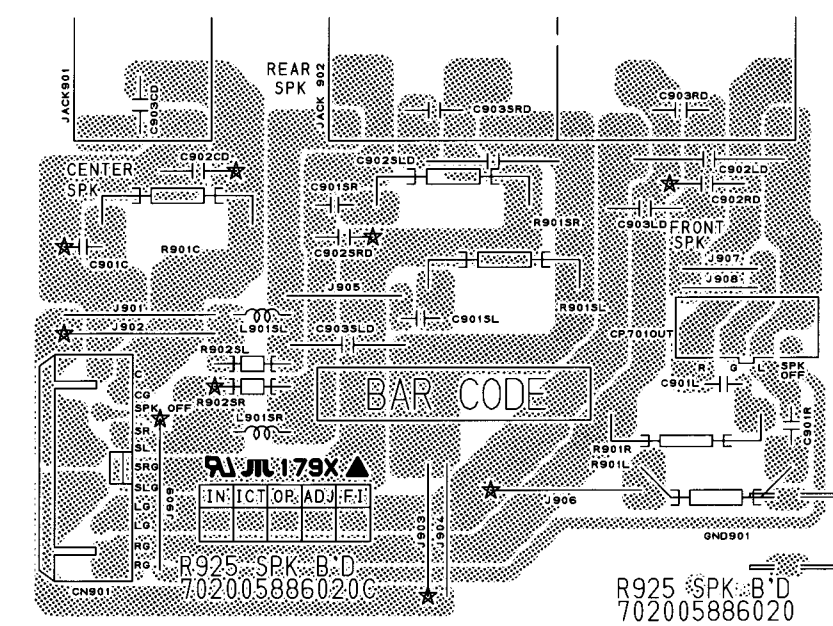
FRONT BOARD CIRCUIT DIAGRAM



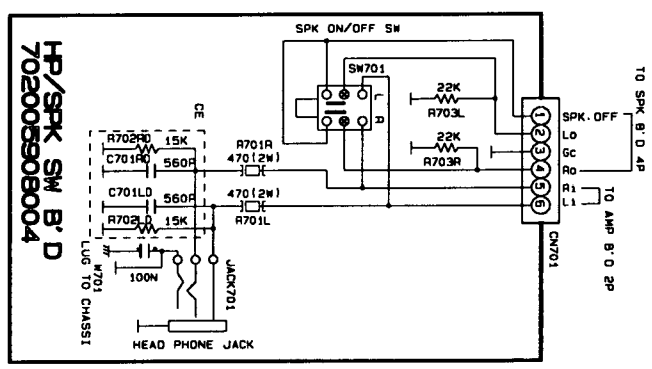
SPKR BOARD CIRCUIT DIAGRAM



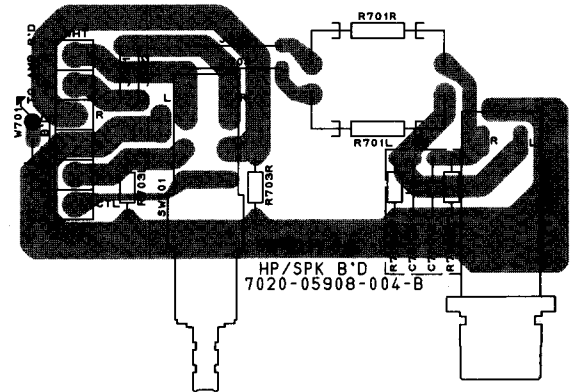
SPKR BOARD LAYOUT DIAGRAM



HP/SPK SW BOARD CIRCUIT DIAGRAM



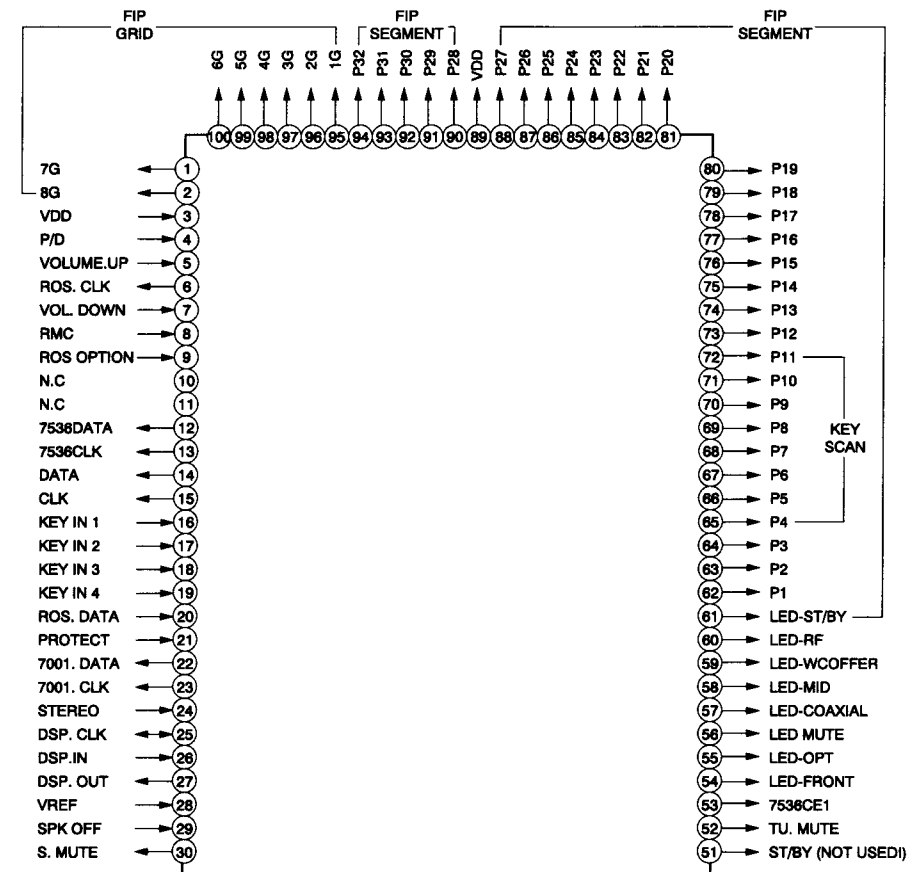
HP/SPK SW BOARD LAYOUT DIAGRAM



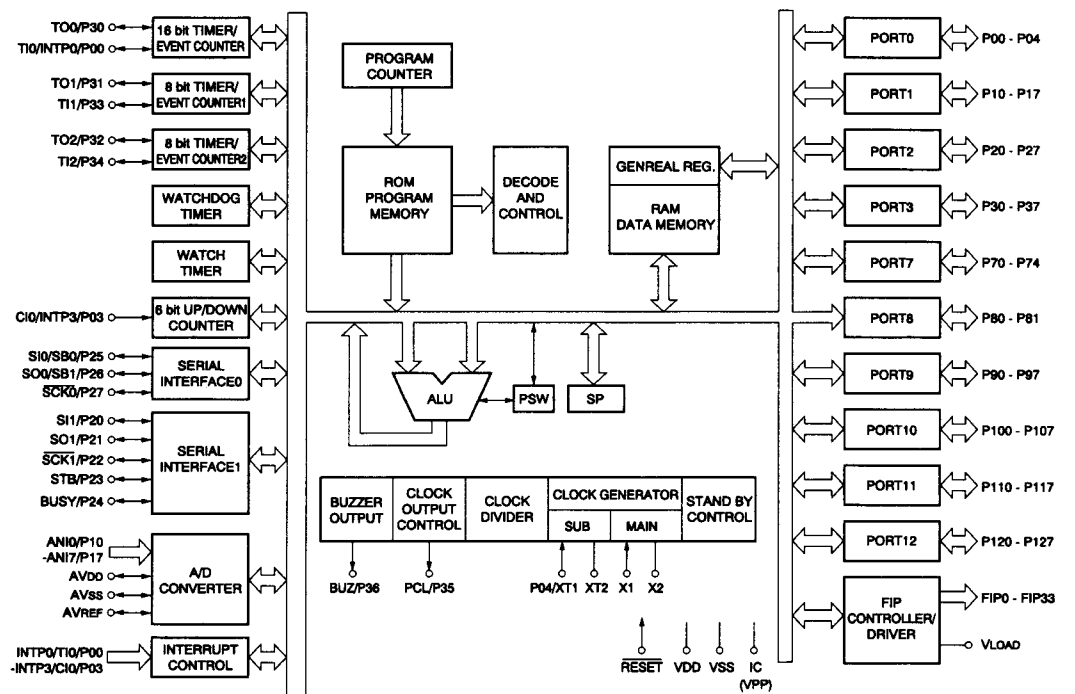
5. COMPONENT DESCRIPTIONS

IC301

1. Pin Configuration



2. Block Diagram



6. ALIGNMENT PROCEDURES

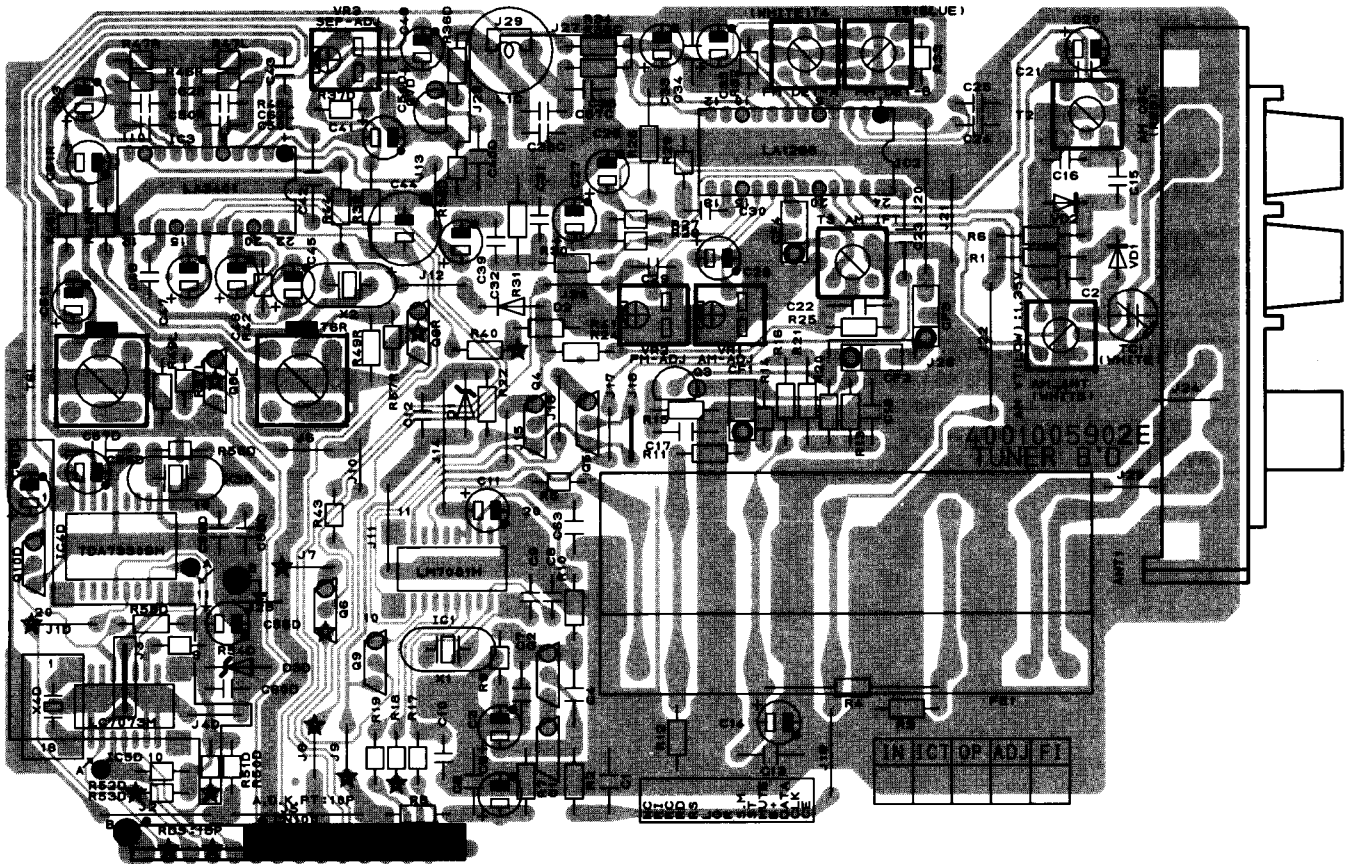
TUNER

1. Equipment Reuired

- AM Standard Signal Generator (AM SSG)
- Oscilloscope
- AC Voltmeter
- FM Standard Signal Generator (FM SSG)
- Stereo Modulator
- Audio Generator
- Distortion Meter
- DC Voltmeter
- Frequency Counter

Note : Disconnect external FM antenna prior to alignment

2. Alignment and Test Point



3. AM Alignment

- Output of signal generator should not be greater than necessary to obtain an optimum output reading.
- Signal generator modulation : 30%
- RF Signal frequency : 400 Hz
- Switch : Press the FM/AM button to AM

Step	Subject	Signal Generator Frequency	Set Frequency Setting	Equipment Connection	Adjustment Point	Adjust for
1	Tuning Voltage	520 kHz (522 kHz)	520 kHz (522 kHz)	DC Volt meter to J22 (TP1)	T2 AM OSC (R)	DC 1.32V±1.35V
2	Usable sensitivity	600 kHz (594 kHz)	600 kHz (594 kHz)	AC voltmeter and oscilloscope to	T1 MW ANT (W)	Maximize audio output
		1400 kHz (1404 kHz)	1400 kHz (1404 kHz)	Tape out jack of L or R channel	TC1	
* Feed signal should be fed to loop antenna through the test loop antenna 60 cm distant from the appliance. * Repeat the step low and high frequency until no further improvement occurs.						
3	IF	1000 kHz (999 kHz)	1000 kHz (999 kHz)	AC voltmeter and oscilloscope to tape out jack of L or R channel	T3 AM IFT	Maximize audio output
4	Tuned Level	1000 kHz (999 kHz) 800 μV/m	1000 kHz (999 kHz)		VR1	"Tuned" flag in the FL display light on

4. FM Alignment

- Output of signal generator should not be greater than necessary to obtain an optimum output reading.
- Signal generator deviation : USA/Canada/Korea : 75kHz, Europe : 40kHz
- RF Signal frequency : 1kHz
- Switch : Press the FM/AM button to FM and MODE button to MONO.

Step	Subject	Signal Generator Frequency	Set Frequency Setting	Equipment Connection	Adjustment Point	Adjust for
1	Tuning Band Width	98.1 MHz (98 MHz)	98.1MHz (98 MHz)	DC Volt meter to R26 (PCB1)	T4	Zero reading on DC Volt meter
2	THD	98.1 MHz (98 MHz)	98.1MHz (98 MHz)	Distortion meter to TAPE OUT jack of L or R channel	T5	Minimize distortion
3	Tuned Level	98.1MHz (98.1MHz) SSG output level : 10 μV/m	98.1MHz (98 MHz)		VR2	"Tuned" flag in the FL display light on

5. MPX Alignment

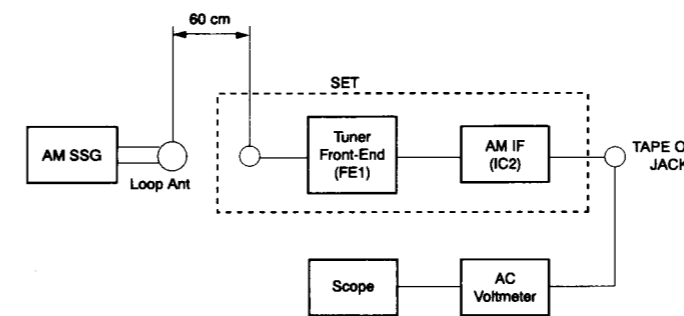
- Signal generator frequency : 98 MHz
- Signal generator deviation : USA : 75 kHz, Europe : 40 kHz
- RF Signal frequency : 1kHz
- Signal generator outut level : 1000 μV/m
- Connect signal generator to FM antenna terminal through FM dummy antenna (75 Ω)
- Switch : Press the FM/AM button to FM and the FM MODE button to STEREO

Step	Subject	Signal Generator Frequency	Set Frequency Setting	Equipment Connection	Adjustment Point	Adjust for
1	Seperation R → L	8% Modulation	pilot on	AC voltmeter to tape out jack of R channel	VR3	Set AC voltmeter to 0 dB
				AC voltmeter to tape out jack of L channel		AC voltmeter reading should be at least 40 dB below
2	Seperation L → R	8% Modulation	Pilot on	AC voltmeter to tape out jack of L channel	VR3	Set AC voltmeter to 0 dB
				AC voltmeter to tape out jack of R channel		AC voltmeter reading should be at least 40 dB below

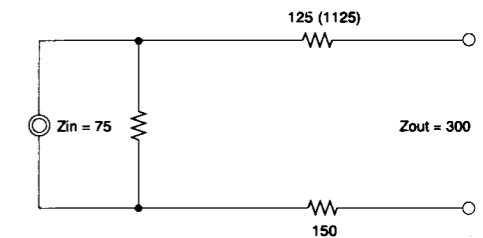
If you could not obtain -40dB readings in steps 1 and 2, readjust VR3 until you obtain -40dB readings.
Norminal is -45dB. (Europe : Nominal -42dB, Limit -37 dB)

6. Equipment Connection

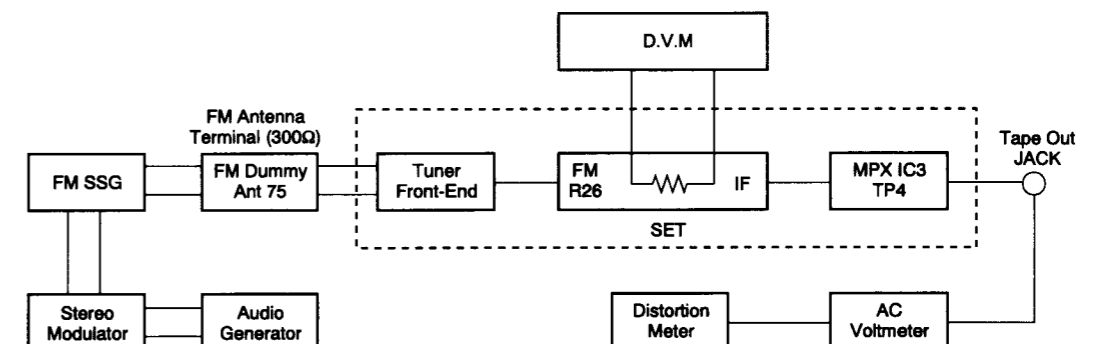
6-1. AM Alignment Connection



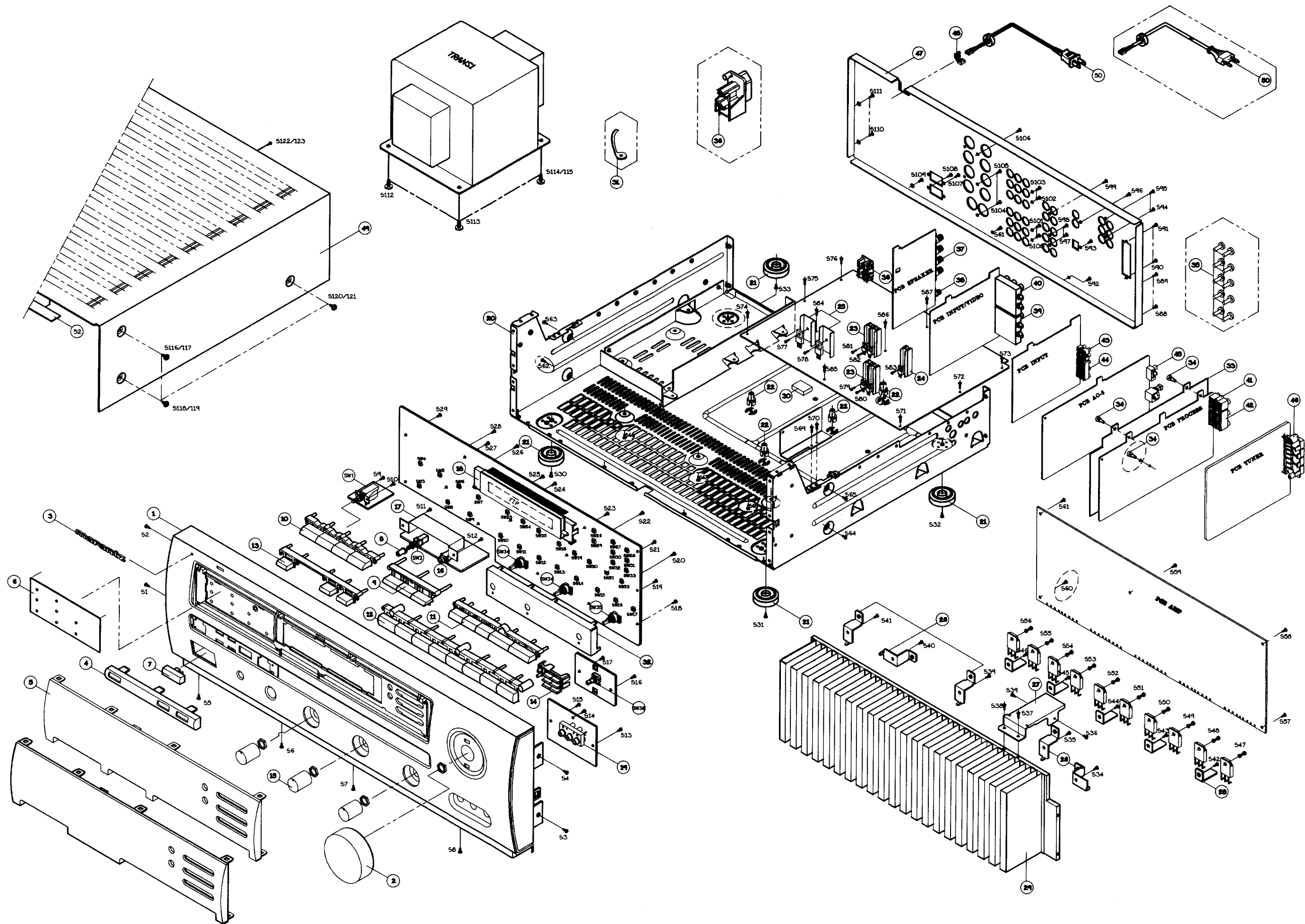
6-2. FM Dummy Antenna



6-3. FM RF/IF and MPX Alignment Connection



7. EXPLODED VIEWS AND PARTS LIST



(VERS.: VERSION, U: USA, F: Japan, K: Far East, /XX: Europe)

POS. NO.	VERS. COLOR	PART NO. (PCS)	DESCRIPTION	PART NO. (MJ)
1	U,/01B	nsp	PANEL FRONT/ABS/BLACK	238W248010
1	/02B	4822 459 05159	PANEL FRONT/ABS/BLACK	238W248110
1	SR585U	nsp	PANEL FRONT/ABS/BLACK	252W248010
2		4822 410 12101	KNOB MAIN/ABS/BLACK	238W154010
3		4822 454 13406	BADGE/MARANTZ/AL	168W251010
4		4822 462 11125	DECORATION CAP/ABS/BLACK	238W063010
5	U,/01B	nsp	WINDOW/ACRYL	238W158010
5	/02B	4822 450 10583	WINDOW RDS/ACRYL	238W158110
5	SR585U	nsp	WINDOW/ACRYL	252W158010
6		4822 454 13407	INDICATOR PLATE/PC	238W003010
7		4822 410 11217	BUTTON POWER/ABS/BLACK	168W270090
8		nsp	KNOB SPEAKER/ABS/BLACK	nsp
9	/02B	4822 410 12102	BUTTON 3KEY/ABS/BLACK	238W270010
10		4822 410 12103	BUTTON 4KEY/ABS/BLACK	238W270020
11		4822 410 12104	BUTTON 5KEY/ABS/BLACK	238W270030
12		4822 410 12105	BUTTON 8KEY/ABS/BLACK	238W270040
13		4822 410 12106	BUTTON SURR/ABS/BLACK	238W270050
14		4822 410 11057	BUTTON 8KEY/ABS/BLACK	192W270020
15		4822 410 11054	KNOB ROTARY/ABS/BLACK	192W154020
16		4822 267 31992	JACK PHONE(G)	*YT000830R
17		4822 402 11189	BKT PHONE /TIN/PLATE 0.5t	238W160010
18		nsp	HOLDER FL/ABS/BLACK	nsp
19		4822 265 31321	TER. JACK RCA(3P)	*YT000870R
20		nsp	CH MAIN ASSY/SECC	nsp
21		4822 462 10695	FOOT/ABS/GOLD	168W057010
22		nsp	KNOB SPACER/ABS/BLACK	nsp
23		nsp	HEAT SINK REG TR/AL	nsp
24		nsp	HEAT SINK REG TR/AL	nsp
25		4822 273 10322	SW SLIDE/VOLTAGE	*SS000520R
26		nsp	BKT H/SINK/SECC	nsp
27		nsp	BKT H/SINK PCB/SECC	nsp
28		nsp	BKT H/SINK/ALP	nsp
29		nsp	H/SINK POWER	nsp
30		nsp	CUSHION SPONGE	nsp
31		nsp	CLAMP WIRE	nsp
32		nsp	SHIELD FENCE	nsp
33		nsp	SHIELD PLATE GND	nsp
34	/02B	nsp	BUSHING TERMINAL/ABS/BLACK	nsp
35	U	nsp	MAINS OUTLET(US)	*YT000910R
35	/01B/02B	4822 267 31994	MAINS OUTLET(EUR)	*YT000920R
36		4822 265 11472	TERMINAL SPEAKER(8P)	*YT001290R
37		4822 265 11473	TERMINAL SPEAKER(2P)	*YT001300R
38		4822 265 11474	JACK RCA(9P)/ORANGE 2P	*YT001310R
39		4822 265 11475	JACK RCA(9P)	*YT001320R
40		4822 265 10928	JACK RCA(2P)	*YT001050R
41		4822 265 11476	JACK RCA(4P)/BLACK 2P	*YT001330R
42		4822 265 11477	JACK RCA(4P)	*YT001340R
43		4822 267 41252	JACK RCA(6P)	*YT001040R
44	U	nsp	ANT TERMINAL(US)	*YT001350R
44	/01B/02B	4822 265 11478	ANT TERMINAL(EUR)	*YT001360R
45	U	nsp	CHASSIS BACK/SECC	nsp
45	/02B	nsp	CHASSIS BACK/SECC	nsp
45	/01B	nsp	CHASSIS BACK/SECC	nsp
46		nsp	STOPPER CORD(DACH 1)	nsp
47	U,/01B	nsp	COVER TOP/VCM	nsp
47	/02B	nsp	COVER TOP/VCM	nsp
▲	U	nsp	MAINS POWER CORD	nsp
▲	/01B/02B	nsp	MAINS POWER CORD	nsp
49	/01B	nsp	ADAPTER MAINS PLUG	nsp
Z002		4822 219 10588	REMOTE CONTROL UNIT RC580SR	ZK238W0020
001T	U	nsp	USER GUIDE (DFU)	237W851250
001T	/01B/02B	4822 736 16546	USER GUIDE (DFU)	237W851310
▲	SW1	4822 276 13807	SWITCH POWER	*SP000680R
SW2		4822 276 13658	SWITCH PUSH	*SP000620R
SW3-22		4822 276 14036	SWITCH TACT	*SP000780R
SW23-25	/02B	4822 276 14036	SWITCH TACT	*SP000780R
SW26-33		4822 276 14036	SWITCH TACT	*SP000780R
SW34		4822 101 11754	VR TREBLE/BASE	*RM000240R
SW35		4822 101 11755	VR BALANCE	*RM000250R
SW36		4822 277 11645	VR ENCODER	*SR000080R
S1-S46		nsp	SCREW #B BTT3X8B	nsp
S47-S56		nsp	SCREW HEAT SINK	nsp
S57-S61		nsp	SCREW #B WPTT3X6Y	nsp
S62-S70		nsp	SCREW #B BTT3X8B	nsp
S71-S76		nsp	SCREW #B WPTT3X6Y	nsp
S77-S83		nsp	SCREW #B BTT3X8B	nsp
S84-S87		nsp	SCREW #B WPTT3X18Y	nsp
S88-S111		nsp	SCREW #B BTT3X8C	nsp
S112-S115		nsp	SCREW #B BSAM4X8B	nsp
S116-S121		nsp	SCREW #B BSAM4X8C	nsp
S122-S123		nsp	SCREW #B BTT3X8C	nsp

NOTE: nsp = PART IS LISTED FOR REFERENCE ONLY. MARANTZ WILL NOT SUPPLY THESE PARTS.

8. ELECTRICAL PARTS LIST

ASSIGNMENT OF COMMON PARTS CODES.

RESISTORS

R***: 1) GD05 x x x 140, Carbon film fixed resistor, $\pm 5\%$ 1/4W
 R***: 2) GD05 x x x 160, Carbon film fixed resistor, $\pm 5\%$ 1/6W

Examples ; $\textcircled{1}$ Resistance value

0.1 Ω 001	10 Ω 100	1k Ω 102	100k Ω 104
0.5 Ω 005	18 Ω 180	2.7k Ω 272	680k Ω 684
1 Ω 010	100 Ω 101	10k Ω 103	1M Ω 105
6.8 Ω 068	390 Ω 391	22k Ω 223	4.7M Ω 475

Note : Please distinguish 1/4W from 1/6W by the shape of parts used actually.

CAPACITORS

C***: CERAMIC CAP.

3) DD1 x x x x 370, Ceramic capacitor
 Disc type
 Temp.coeff. P350~N1000, 50V

Examples ; $\textcircled{2}$ Tolerance (Capacity deviation)

± 0.25 pF..... 0	± 0.5 pF..... 1	$\pm 5\%$ 5
----------------------	---------------------	-------------------

* Tolerance of COMMON PARTS handled here are as follows :

0.5 pF - 5 pF	± 0.25 pF
6 pF - 10 pF	± 0.5 pF
12 pF - 560 pF	$\pm 5\%$

$\textcircled{3}$ Capacity value

0.5 pF 005	3 pF 030	100 pF 101
1 pF 010	10 pF 100	220 pF 221
1.5 pF 015	47 pF 470	560 pF 561

C***: CERAMIC CAP.

4) DK16 x x x 300, High dielectric constant ceramic capacitor
 Disc type
 Temp.chara. 2B4, 50V

Examples ; $\textcircled{4}$ Capacity value

100 pF 101	1000 pF 102	10000 pF 103
470 pF 471	2200 pF 222	

C***: 5) ELECTROLY CAP. ($\frac{\perp}{\perp}$), 6) FILM CAP. ($\frac{\perp}{\perp}$)

5) EA x x x x x x 10, Electrolytic capacitor
 One-way lead type,
 Tolerance $\pm 20\%$

Examples ; $\textcircled{5}$ Capacity value

0.1 μ F 104	4.7 μ F 475	100 μ F 107
0.33 μ F 334	10 μ F 106	330 μ F 337
1 μ F 105	22 μ F 226	1100 μ F 118
		2200 μ F 228

$\textcircled{6}$ Working voltage

6.3 V 006	25 V 025
10 V 010	35 V 035
16 V 016	50 V 050

6) DF15 x x x 350 Plastic film capacitor
 One-way type, Mylar $\pm 5\%$ 50V
 DF15 x x x 310 Plastic film capacitor
 One-way type, Mylar $\pm 10\%$ 50V

Examples ; $\textcircled{7}$ Capacity value

0.001 μ F(1000pF) 102	0.1 μ F 104
0.0018 μ F 182	0.56 μ F 564
0.01 μ F 103	1 μ F 105
0.015 μ F 153	

NOTE : 1) The above CODES (R***, R***, C***, C*** and C***) are omitted on the schematic diagram in some case.

2) On the occasion, be confirmed the common parts on the parts list.

3) Refer to "Common Parts List" for the other common parts (R105, DD4, DK4).

NOTE ON SAFETY FOR FUSIBLE RESISTOR :

The suppliers and their type numbers of fusible resistors are as follows ;

1. KOA Corporation

Part No.(MJI)	Type No.(KOA)	Description
NH05 x x x 140	RF25S x x x x Ω J	($\pm 5\%$ 1/4W)
NH05 x x x 120	RF50S x x x x Ω J	($\pm 5\%$ 1/2W)
NH85 x x x 110	RF73B2A x x x x Ω J	($\pm 5\%$ 1/10W)
NH95 x x x 140	RF73B2E x x x x Ω J	($\pm 5\%$ 1/4W)

* Resistance value * Resistance value (0.1 - 10k Ω)

2. Matsushita Electronic Components Co., Ltd

Part No.(MJI)	Type No.(MEC)	Description
NF05 x x x 140	ERD-2FCJ x x x	($\pm 5\%$ 1/4W)
RF05 x x x 140		
NF02 x x x 140	ERD-2FCG x x x	($\pm 2\%$ 1/4W)
RF02 x x x 140		

* Resistance value * Resistance value

Examples ;

* Resistance value				
0.1 Ω 001	10 Ω 100	1k Ω 102	100k Ω 104	
0.5 Ω 005	18 Ω 180	2.7k Ω 272	680k Ω 684	
1 Ω 010	100 Ω 101	10k Ω 103	1M Ω 105	
6.8 Ω 068	390 Ω 391	22k Ω 223	4.7M Ω 475	

ABBREVIATION AND MARKS

ANT. : ANTENNA	BATT. : BATTERY
CAP. : CAPACITOR	CER. : CERAMIC
CONN. : CONNECTING	DIG. : DIGITAL
HP : HEADPHONE	MIC. : MICROPHONE
μ -PRO : MICROPROCESSOR	REC. : RECORDING
RES. : RESISTOR	SPK : SPEAKER
SW : SWITCH	TRANSF. : TRANSFORMER
TRIM. : TRIMMING	TRS. : TRANSISTOR
VAR. : VARIABLE	X'TAL : CRYSTAL

NOTE ON SAFETY:

Symbol \blacktriangle Fire or electrical shock hazard. Only original parts should be used to replaced any part marked with symbol \blacktriangle . Any other component substitution (other than original type), may increase risk of fire or electrical shock hazard.

(VERS.: VERSION, U: USA, F: Japan, K: Far East, /XX: Europe)

POS. NO.	VERS. COLOR	PART NO. (PCS)	DESCRIPTION	PART NO. (MJ)
P.C.B. SURROUND PART Capacitor				
C801	SR580	nsp	C-Cap. Chip 22NF 25V Z	nsp
C802-C804	SR580	nsp	C-Cap. Chip 100NF 50V Z	nsp
C805	SR580	nsp	E-Cap. 47UF 25V M	nsp
C806	SR580	nsp	C-Cap. Chip 100NF 50V Z	nsp
C807	SR580	nsp	E-Cap. 47UF 25V M	nsp
C808	SR580	nsp	C-Cap. Chip 75PF 50V CH	nsp
C809	SR580	nsp	C-Cap. Chip 10NF 16V J	nsp
C810-C811	SR580	nsp	C-Cap. Chip 100NF 50V Z	nsp
C812	SR580	nsp	C-Cap. Chip 10NF 16V J	nsp
C813	SR580	nsp	C-Cap. Chip 1NF 50V CH	nsp
C814	SR580	nsp	E-Cap. 1UF 50V M	nsp
C815	SR580	nsp	C-Cap. Chip 100NF 50V Z	nsp
C816	SR580	nsp	E-Cap. 47UF 25V M	nsp
C817	SR580	nsp	E-Cap. 1UF 50V M	nsp
C818	SR580	nsp	E-Cap. 47UF 25V M	nsp
C819	SR580	nsp	C-Cap. Chip 100NF 50V Z	nsp
C820	nsp	nsp	C-Cap. Chip 100NF 50V Z	nsp
C821	SR580	nsp	C-Cap. Chip 100NF 50V Z	nsp
C822-C823	nsp	nsp	C-Cap. Tubular 2.2NF 50V J	nsp
C825-C826	nsp	nsp	E-Cap. 47UF 25V M	nsp
C828	nsp	nsp	C-Cap. Chip 15NF 50V B	nsp
C829	nsp	nsp	C-Cap. Chip 1.5NF 50V B	nsp
C830-C831	nsp	nsp	C-Cap. Tubular 33PF 50V J	nsp
C832	nsp	nsp	E-Cap. 1UF 50V M	nsp
C833	nsp	nsp	C-Cap. Chip 100NF 50V Z	nsp
C834	nsp	nsp	C-Cap. Chip 22PF 50V CH	nsp
C835	nsp	nsp	C-Cap. Tubular 10PF 50V J	nsp
C836	nsp	nsp	E-Cap. 22UF 16V M	nsp
C837	nsp	nsp	C-Cap. Chip 100NF 50V Z	nsp
C838	nsp	nsp	E-Cap. 1000UF 6.3V M	nsp
C839-C840	nsp	nsp	C-Cap. Chip 100NF 50V Z	nsp
C841	nsp	nsp	E-Cap. 1000UF 6.3V M	nsp
C842	nsp	nsp	C-Cap. Chip 10NF 16V J	nsp
C843L/R	nsp	nsp	C-Cap. Chip 1NF 50V CH	nsp
C845L/R	nsp	nsp	E-Cap. 10UF 50V M	nsp
C846L/R/C/W	nsp	nsp	E-Cap. 10UF 35V M	nsp
C846SL/SR	nsp	nsp	E-Cap. 10UF 35V M	nsp
C847-C848	SR580	nsp	C-Cap. Chip 100NF 50V Z	nsp
C849	nsp	nsp	E-Cap. 47UF 25V M	nsp
C850	SR580	nsp	C-Cap. Chip 100NF 50V Z	nsp
C851	SR580	nsp	C-Cap. Chip 2PF 50V CH	nsp
C852	SR580	nsp	C-Cap. Chip 18PF 50V J	nsp
C852C/W	nsp	nsp	C-Cap. Chip 1NF 50V CH	nsp
C853	nsp	nsp	E-Cap. 47UF 25V M	nsp
C854	SR580	nsp	C-Cap. Chip 10NF 16V J	nsp
C854C/W	nsp	nsp	E-Cap. 10UF 50V M	nsp
C855	SR580	nsp	E-Cap. 100UF 10V M	nsp
C857	nsp	nsp	C-Cap. Chip 22PF 50V CH	nsp
C858	nsp	nsp	C-Cap. Chip 10NF 16V J	nsp
C859-C860	nsp	nsp	C-Cap. Chip 100NF 50V Z	nsp
C860SL/SR	nsp	nsp	C-Cap. Chip 1NF 50V CH	nsp
C861	nsp	nsp	E-Cap. 3.3UF 50V M	nsp
C862	nsp	nsp	E-Cap. 3.3UF 50V M	nsp
C863L/R	nsp	nsp	C-Cap. Chip 1.5NF 50V B	nsp
C864	SR580	nsp	E-Cap. 47UF 25V M	nsp
C865C/W	nsp	nsp	C-Cap. Chip 1.5NF 50V B	nsp
C866SL/SR	nsp	nsp	E-Cap. 10UF 50V M	nsp
C867	SR580	nsp	E-Cap. 47UF 25V M	nsp
C868SL/SR	nsp	nsp	C-Cap. Chip 1.5NF 50V B	nsp
C869-C874	SR580	nsp	C-Cap. Chip 100NF 50V Z	nsp
C875	nsp	nsp	C-Cap. Chip 100NF 50V Z	nsp
C876	nsp	nsp	E-Cap. 1UF 50V M	nsp
C877L/R/C/W	nsp	nsp	C-Cap. Chip 4.7NF 50V J	nsp
C877SL/SR	nsp	nsp	C-Cap. Chip 4.7NF 50V J	nsp
C880	nsp	nsp	E-Cap. 10UF 35V M	nsp
C881	nsp	nsp	E-Cap. 10UF 35V M	nsp
C882	nsp	nsp	C-Cap. Chip 100NF 50V Z	nsp
C883	SR580	nsp	C-Cap. Chip 100NF 50V Z	nsp
C884-C889	nsp	nsp	C-Cap. Chip 100NF 50V Z	nsp
C890-C891	SR580	nsp	C-Cap. Chip 100NF 50V Z	nsp
C892	SR580	nsp	Non-Polar E-Cap. 47UF 10V M	nsp
C893	SR580	nsp	E-Cap. 10UF 50V M	nsp
C894-C896	nsp	nsp	C-Cap. Chip 10NF 16V J	nsp
C897	nsp	nsp	E-Cap. 1UF 50V M	nsp
Coil				
L801	SR580	nsp	Coil 68UH(02)	nsp
L802	nsp	nsp	Coil 68UH(02)	nsp
L803-L805	nsp	nsp	BEAD Chip-Type	nsp

POS. NO.	VERS. COLOR	PART NO. (PCS)	DESCRIPTION	PART NO. (MJ)
Connector				
CN801	nsp	nsp	B'D to B'D Wafer 2.0mm 11P	nsp
CN802	nsp	nsp	B'D to B'D Wafer 2.0mm 14P	nsp
Diode				
D801-D802	SR580	4822 130 30621	Diode Chip 1N4148	QP13030621
D803-D805	nsp	4822 130 30621	Diode Chip 1N4148	QP13030621
VC101	SR580	4822 130 10683	KV1851 VARICAP	HZ40003420
IC				
IC801	SR580	4822 209 17154	MC14577BP	*HC104300R
IC802	SR580	4822 209 17155	NJM2068M	HC10102090
IC803	SR580	4822 209 17162	PM4007A SMD-Type	*HC104320R
IC804	SR580	4822 209 17156	KM68257CJ SMD-Type	*HC104330R
IC805	nsp	4822 209 17155	NJM2068M	HC10102090
IC806	nsp	4822 209 17157	CS4226	*HC104340R
IC807	nsp	4822 209 17158	MC56009F	*HC104350R
IC808	nsp	4822 209 17175	74HC76	*HC700170R
IC809	nsp	4822 209 17174	74HCU04 SMD-Type	*HC700180R
IC810	nsp	4822 209 17159	uPD78044 Sub CPU	*HC104360R
IC811-IC812	nsp	4822 209 17161	HY534256 SMD-Type	*HC104370R
IC813	nsp	4822 209 16912	74HC04 SMD-Type	*HC700190R
IC814-IC816	nsp	4822 209 17155	NJM2068M	HC10102090
Transistor				
Q801-Q802	SR580	4822 130 42431	2SC1740S	HT317402F0
Q803-Q804	SR580	4822 130 60107	2SA933S	HT110482B0
Q805-Q806	SR580	4822 130 42431	2SC1740S	HT317402F0
Q807	SR580	4822 130 61189	DTC114TS	BA20017210
Q808	nsp	4822 130 62787	DTA114YS SMD-Type	*BA000190R
Q809L/R/C/W	nsp	4822 130 63187	DTC323TK SMD-Type	BA20048210
Q811SL/SR	nsp	4822 130 63187	DTC323TK SMD-Type	BA20048210
Q812	nsp	4822 130 62503	DTC114YS SMD-Type	*BA000210R
Resistor				
R750	nsp	nsp	Carbon Film Chip 100K ohm 1/10W	nsp
R750C	nsp	nsp	Carbon Film Chip 100K ohm 1/10W	nsp
R750W	nsp	nsp	Carbon Film Chip 100K ohm 1/10W	nsp
R751	nsp	nsp	Carbon Film Chip 220K ohm 1/10W	nsp
R752L	nsp	nsp	Carbon Film Chip 100 ohm 1/10W	nsp
R752R	nsp	nsp	Carbon Film Chip 100 ohm 1/10W	nsp
R753L	nsp	nsp	Carbon Film Chip 3.3K ohm 1/10W	nsp
R753R	nsp	nsp	Carbon Film Chip 3.3K ohm 1/10W	nsp
R754	SR580	nsp	Carbon Film Chip 3.3K ohm 1/10W	nsp
R754L	SR580	nsp	Carbon Film Chip 100K ohm 1/10W	nsp
R754R	SR580	nsp	Carbon Film Chip 100K ohm 1/10W	nsp
R755L	nsp	nsp	Carbon Film Chip 1K ohm 1/10W	nsp
R755R	nsp	nsp	Carbon Film Chip 1K ohm 1/10W	nsp
R756	nsp	nsp	Carbon Film Chip 15 ohm 1/10W	nsp
R757	nsp	nsp	Carbon Film Chip 15 ohm 1/10W	nsp
R758C	nsp	nsp	Carbon Film Chip 100 ohm 1/10W	nsp
R758W	nsp	nsp	Carbon Film Chip 100 ohm 1/10W	nsp
R759C/W	nsp	nsp	Carbon Film Chip 3.3K ohm 1/10W	nsp
R761C/W	nsp	nsp	Carbon Film Chip 1K ohm 1/10W	nsp
R762L/R/C/W	nsp	nsp	Carbon Film Chip 3.3K ohm 1/10W	nsp
R764SL/SR	nsp	nsp	Carbon Film Chip 3.3K ohm 1/10W	nsp
R766SL/SR	nsp	nsp	Carbon Film Chip 100 ohm 1/10W	nsp
R767SL/SR	nsp	nsp	Carbon Film Chip 3.3K ohm 1/10W	nsp
R768SL/SR	nsp	nsp	Carbon Film Chip 100K ohm 1/10W	nsp
R769SL/SR	nsp	nsp	Carbon Film Chip 1K ohm 1/10W	nsp
R770L/R/C/W	nsp	nsp	Carbon Film Chip 2.2K ohm 1/10W	nsp
R772SL/SR	nsp	nsp	Carbon Film Chip 2.2K ohm 1/10W	nsp
R774	nsp	nsp	Carbon Film Chip 470 ohm 1/10W	nsp
R775	nsp	nsp	Carbon Film Chip 4.7K ohm 1/10W	nsp
R776	nsp	nsp	Carbon Film Chip 470 ohm 1/10W	nsp
R777	nsp	nsp	Carbon Film Chip 18K ohm 1/10W	nsp
R778-R780	nsp	nsp	Carbon Film Chip 100K ohm 1/10W	nsp
R781	nsp	nsp	Carbon Film 2.2 ohm 1/4W	nsp
R782L/R/C/W	nsp	nsp	Carbon Film Chip 100K ohm 1/10W	nsp
R782SL/SR	nsp	nsp	Carbon Film Chip 100K ohm 1/10W	nsp
R783L/R/C/W	nsp	nsp	Carbon Film Chip 2.2K ohm 1/10W	nsp
R785SL/SR	nsp	nsp	Carbon Film Chip 2.2K ohm 1/10W	nsp
R786-R787	nsp	nsp	Carbon Film Chip 4.7K ohm 1/10W	nsp
R788L/R/C/W	nsp	nsp	Carbon Film Chip 470 ohm 1/10W	nsp
R790SL/SR	nsp	nsp	Carbon Film Chip 470 ohm 1/10W	nsp
R791	nsp	nsp	Carbon Film Chip 470 ohm 1/10W	nsp
R792-R793	nsp	nsp	Carbon Film Chip 22K ohm 1/10W	nsp
R801	SR580	nsp	Carbon Film Chip 100 ohm 1/10W	nsp
R802	SR580	nsp	Metal Film 560 ohm 1/5W	nsp
R803-R805	SR580	nsp	Carbon Film Chip 1K ohm 1/10W	nsp
R806	SR580	nsp	Carbon Film Chip 4.7K ohm 1/10W	nsp
R807	SR580	nsp	Carbon Film Chip 150 ohm 1/10W	nsp

NOTE: nsp = nsp = PART IS LISTED FOR REFERENCE ONLY, MARANTZ WILL NOT SUPPLY THESE PARTS.

POS. NO.	VERS. COLOR	PART NO. (PCS)	DESCRIPTION	PART NO. (MJI)
R808	SR580	nsp	Carbon Film Chip 2.2K ohm 1/10W	nsp
R809~R812	SR580	nsp	Carbon Film Chip 1K ohm 1/10W	nsp
R813	SR580	nsp	Carbon Film Chip 10K ohm 1/10W	nsp
R814	SR580	nsp	Carbon Film Chip 1K ohm 1/10W	nsp
R815	SR580	nsp	Carbon Film Chip 4.7K ohm 1/10W	nsp
R816	SR580	nsp	Carbon Film Chip 1K ohm 1/10W	nsp
R817		nsp	Carbon Film Chip 5.1K ohm 1/10W	nsp
R818~R819	SR580	nsp	Carbon Film Chip 1K ohm 1/10W	nsp
R820	SR580	nsp	Carbon Film Chip 1.8K ohm 1/10W	nsp
R821~R822	SR580	nsp	Carbon Film Chip 10K ohm 1/10W	nsp
R823	SR580	nsp	Carbon Film Chip 4.7K ohm 1/10W	nsp
R824	SR580	nsp	Carbon Film Chip 100K ohm 1/10W	nsp
R825	SR580	nsp	Carbon Film Chip 4.7K ohm 1/10W	nsp
R826	SR580	nsp	Carbon Film Chip 3.9K ohm 1/10W	nsp
R827	SR580	nsp	Carbon Film Chip 22K ohm 1/10W	nsp
R828	SR580	nsp	Carbon Film Chip 8.2K ohm 1/10W	nsp
R829	SR580	nsp	Carbon Film Chip 68K ohm 1/10W	nsp
R830	SR580	nsp	Carbon Film Chip 27K ohm 1/10W	nsp
R831~R832	SR580	nsp	Carbon Film Chip 10K ohm 1/10W	nsp
R833	SR580	nsp	Carbon Film Chip 47K ohm 1/10W	nsp
R834	SR580	nsp	Carbon Film Chip 120 ohm 1/10W	nsp
R835	SR580	nsp	Carbon Film Chip 47K ohm 1/10W	nsp
R836	SR580	nsp	Carbon Film Chip 47 ohm 1/10W	nsp
R837~R838	SR580	nsp	Carbon Film Chip 47K ohm 1/10W	nsp
R839~R840	SR580	nsp	Carbon Film Chip 10K ohm 1/10W	nsp
R841~R843	SR580	nsp	Carbon Film Chip 47K ohm 1/10W	nsp
R844~R845	SR580	nsp	Carbon Film Chip 10K ohm 1/10W	nsp
R846	SR580	nsp	Carbon Film Chip 1K ohm 1/10W	nsp
R847~R856	SR580	nsp	Carbon Film Chip 47K ohm 1/10W	nsp
R857	SR580	nsp	Carbon Film Chip 10K ohm 1/10W	nsp
R858		nsp	Carbon Film Chip 470 ohm 1/10W	nsp
R859~R860	SR580	nsp	Carbon Film Chip 47K ohm 1/10W	nsp
R861~R862	SR580	nsp	Carbon Film Chip 100 ohm 1/10W	nsp
R863~R864		nsp	Carbon Film Chip 22K ohm 1/10W	nsp
R865		nsp	Carbon Film Chip 5.1K ohm 1/10W	nsp
R866		nsp	Carbon Film Chip 1M ohm 1/10W	nsp
R867	SR580	nsp	Carbon Film Chip 47K ohm 1/10W	nsp
R868~R869		nsp	Carbon Film Chip 47 ohm 1/10W	nsp
R870		nsp	Carbon Film Chip 33K ohm 1/10W	nsp
R871~R876		nsp	Carbon Film Chip 10K ohm 1/10W	nsp
R878~R880		nsp	Carbon Film Chip 470 ohm 1/10W	nsp
R881		nsp	Carbon Film Chip 82 ohm 1/10W	nsp
R882		nsp	Carbon Film Chip 680 ohm 1/10W	nsp
R883		nsp	Carbon Film Chip 4.7K ohm 1/10W	nsp
R884		nsp	Carbon Film Chip 10K ohm 1/10W	nsp
R885~R888		nsp	Carbon Film Chip 100K ohm 1/10W	nsp
R889		nsp	Carbon Film Chip 18K ohm 1/10W	nsp
R890~R893		nsp	Carbon Film Chip 100K ohm 1/10W	nsp
R894		nsp	Carbon Film Chip 10K ohm 1/10W	nsp
R895		nsp	Carbon Film Chip 100 ohm 1/10W	nsp
R896~R898		nsp	Carbon Film Chip 10K ohm 1/10W	nsp
R899		nsp	Carbon Film Chip 220K ohm 1/10W	nsp
Miscellaneous				
X801	SR580	4822 242 10976	Crystal 18.432MHz	*JX000460R
X802		4822 242 10977	Crystal 24.576MHz	*JX000470R
X803		4822 242 73769	Resonator 4.19MHz	*FQ000110R
BPF801	SR580	4822 157 11798	Band Pass Filter 2.88MHz	*BF000030R
P.C.B. TUNER PART				
Capacitor				
C1	nsp		C-Cap. Tubular 22NF 25V Z	nsp
C10	nsp		C-Cap. Disc 100PF 50V J	nsp
C11	nsp		E-Cap. 47UF 16V M	nsp
C12	nsp		C-Cap. Disc 22NF 50V Z	nsp
C13	nsp		C-Cap. Tubular 22NF 25V Z	nsp
C14	nsp		E-Cap. 100UF 16V M	nsp
C15	nsp		P-Cap. 470PF 50V J	nsp
C16	nsp		C-Cap. Disc 15PF 50V J CH	nsp
C17~C18	nsp		C-Cap. Tubular 22NF 25V Z	nsp
C2	nsp		C-Cap. Disc 47NF 50V Z	nsp
C20	nsp		E-Cap. 10UF 35V M	nsp
C21~C22	nsp		C-Cap. Tubular 22NF 25V Z	nsp
C23	nsp		C-Cap. Tubular 10NF 16V J	nsp
C24~C25	nsp		C-Cap. Disc 22NF 50V Z	nsp
C26	nsp		E-Cap. 4.7UF 50V M	nsp
C27	nsp		E-Cap. 3.3UF 50V M	nsp
C28	nsp		E-Cap. 4.7UF 50V M	nsp
C29	nsp		C-Cap. Disc 22NF 50V Z	nsp
C3	nsp		E-Cap. 3.3UF 50V M	nsp
C30	nsp		C-Cap. Disc 2NF 50V Z	nsp
C31	nsp		M-Cap. 3.3NF 100V J	nsp

POS. NO.	VERS. COLOR	PART NO. (PCS)	DESCRIPTION	PART NO. (MJI)
C32		nsp	M-Cap. 39NF 100V J	nsp
C33		nsp	E-Cap. 1UF 50V M	nsp
C34		nsp	C-Cap. Tubular 22NF 25V Z	nsp
C35		nsp	E-Cap. 100UF 16V M	nsp
C36		nsp	C-Cap. Disc 330PF 50V J	nsp
C37C	/01B/02B	nsp	C-Cap. Disc 82PF 50V J	nsp
C38C	/01B/02B	nsp	C-Cap. Disc 100PF 50V J	nsp
C39		nsp	E-Cap. 10UF 35V M	nsp
C4		nsp	C-Cap. Tubular 10NF 16V J	nsp
C40D	/02B	nsp	C-Cap. Tubular 22NF 25V Z	nsp
C41		nsp	E-Cap. 4.7UF 50V M	nsp
C42		nsp	C-Cap. Tubular 47NF 50V Z	nsp
C43		nsp	P-Cap. 680PF 50V J	nsp
C44		nsp	E-Cap. 100UF 16V M	nsp
C45		nsp	E-Cap. 1UF 50V M	nsp
C46		nsp	E-Cap. 0.22UF 50V M	nsp
C47		nsp	E-Cap. 1UF 50V M	nsp
C48		nsp	C-Cap. Disc 22NF 50V Z	nsp
C49		nsp	E-Cap. 10UF 35V M	nsp
C5		nsp	E-Cap. 47UF 16V M	nsp
C50L/R	U	nsp	C-Cap. Disc 560PF 50V J	nsp
	/01B/02B	nsp	C-Cap. Disc 220PF 50V J	nsp
C51L/R		nsp	E-Cap. 10UF 35V M	nsp
C53		nsp	E-Cap. 10UF 35V M	nsp
C54D	/02B	nsp	C-Cap. Tubular 270PF 50V J	nsp
C55D	/02B	nsp	E-Cap. 47UF 16V M	nsp
C56D	/02B	nsp	E-Cap. 10UF 35V M	nsp
C57D	/02B	nsp	C-Cap. Tubular 100NF 50V Z	nsp
C580~C590	/02B	nsp	C-Cap. Disc 27PF 50V J	nsp
		nsp	C-Cap. Tubular 22NF 25V Z	nsp
C60D	/02B	nsp	C-Cap. Disc 100NF 50V Z	nsp
C62L/R	U	nsp	C-Cap. Disc 68PF 50V J	nsp
	/01B/02B	nsp	C-Cap. Disc 10PF 50V J	nsp
C7		nsp	C-Cap. Tubular 10NF 16V J	nsp
C8~C9		nsp	C-Cap. Disc 18PF50V J CH	nsp
Diode				
D1		4822 130 82703	UZ5.1BSB Diode Zener	*HD301080R
D2		4822 130 30621	1N4148	QP13030621
D3D	/02B	4822 130 82703	UZ5.1BSB Diode Zener	*HD301080R
D4~D5		4822 130 30621	1N4148	QP13030621
VD1~VD2		4822 125 11115	SVC321C-2 VARICAP	*HD400150R
IC				
IC1		4822 209 17163	LM7001M	*HC104650R
IC2		4822 209 71785	LA1266G	HC10222030
IC3		4822 209 73434	LA3401	*HC104640R
IC4D	/02B	4822 209 33842	TDA7330BD	QP20933842
Transistor				
Q1~Q2		4822 130 42431	2SC1740S	HT317402F0
Q3		4822 130 62294	KTC1923Y	HT318091P0
Q4~Q6		4822 130 62787	KRA107M	*BA000190R
Q7D	/02B	4822 130 42431	2SC1740S	HT317402F0
Q8L/R		4822 130 61723	DTC323TS	BA20028210
Q9		4822 130 62787	KRA107M	*BA000190R
Resistor				
R1		nsp	Carbon Film 100K ohm 1/5W	nsp
R10		nsp	Metal Film 1K ohm 1/5W	nsp
R11		nsp	Metal Film 180 ohm 1/5W	nsp
R12		nsp	Metal Film 560 ohm 1/5W	nsp
R13		nsp	Metal Film 3.3K ohm 1/5W	nsp
R14		nsp	Metal Film 560 ohm 1/5W	nsp
R15		4822 052 10471	Metal Film 470 ohm 1/5W	GG05471160
R16		nsp	Metal Film 100 ohm 1/5W	nsp
R17~R19		nsp	Metal Film 1K ohm 1/5W	nsp
R2		nsp	Carbon Film 5.6K ohm 1/5W	nsp
R20		nsp	Metal Film 330 ohm 1/5W	nsp
R21		nsp	Metal Film 270 ohm 1/5W	nsp
R22		4822 052 10471	Metal Film 470 ohm 1/5W	GG05471160
R24		nsp	Metal Film 4.7K ohm 1/5W	nsp
R25		nsp	Carbon Film 68K ohm 1/5W	nsp
R26		nsp	Carbon Film 39K ohm 1/5W	nsp
R27		nsp	Carbon Film 10K ohm 1/5W	nsp
R28		nsp	Carbon Film 22K ohm 1/5W	nsp
R29		nsp	Metal Film 22 ohm 1/5W	nsp
R3		nsp	Carbon Film 22K ohm 1/5W	nsp
R30		nsp	Metal Film 4.7K ohm 1/5W	nsp
R31	U	nsp	Carbon Film 10K ohm 1/5W	nsp
	/01B/02B	nsp	Metal Film 2.7K ohm 1/5W	nsp
R32		nsp	Carbon Film 5.6K ohm 1/5W	nsp

NOTE: nsp = PART IS LISTED FOR REFERENCE ONLY, MARANTZ WILL NOT SUPPLY THESE PARTS.

(VERS. : VERSION, U: USA, F: Japan, K: Far East, /XX: Europe)

POS. NO.	VERS. COLOR	PART NO. (PCS)	DESCRIPTION	PART NO. (MJI)
R33		nsp	Metal Film 3.3K ohm 1/5W	nsp
R34		nsp	Metal Film 100 ohm 1/5W	nsp
R35C	/01B/02B	nsp	Metal Film 1.8K ohm 1/5W	nsp
R36D	/02B	nsp	Carbon Film 47K ohm 1/5W	nsp
R37D	/02B	nsp	Metal Film 22 ohm 1/5W	nsp
R38D	/02B	nsp	Metal Film 1K ohm 1/5W	nsp
R39		nsp	Metal Film 100 ohm 1/5W	nsp
R4		nsp	Carbon Film 100K ohm 1/5W	nsp
R40		nsp	Carbon Film 47K ohm 1/5W	nsp
R41		nsp	Carbon Film 22K ohm 1/5W	nsp
R42		nsp	Metal Film 3.3K ohm 1/5W	nsp
R43		nsp	Carbon Film 22K ohm 1/5W	nsp
R44		nsp	Carbon Film 47K ohm 1/5W	nsp
R46L/R	U	nsp	Carbon Film 120K ohm 1/5W	nsp
	/01B/02B	nsp	Carbon Film 220K ohm 1/5W	nsp
R47L/R	U	nsp	Carbon Film 180K ohm 1/5W	nsp
	/01B/02B	nsp	Carbon Film 270K ohm 1/5W	nsp
R48L/R		nsp	Metal Film 2.7K ohm 1/5W	nsp
R49L/R		nsp	Metal Film 3.3K ohm 1/5W	nsp
R5		4822 052 10471	Metal Film 470 ohm 1/5W	GG05471160
R50D	/02B	nsp	Metal Film 680 ohm 1/5W	nsp
R52D-R53D	/02B	nsp	Carbon Film 10K ohm 1/5W	nsp
R56D	/02B	nsp	Carbon Film 2.2M ohm 1/5W	nsp
R57L/R		nsp	Metal Film 1.5K ohm 1/5W	nsp
R6		nsp	Carbon Film 100K ohm 1/5W	nsp
R7		nsp	Carbon Film 10K ohm 1/5W	nsp
R8		nsp	Metal Film 270 ohm 1/5W	nsp
R9		nsp	Metal Film 560 ohm 1/5W	nsp
VR1		4822 101 11855	Trim-Res. 5K(B)-H	*RA000810R
VR2		4822 100 12294	Trim-Res. 50K(B)-H	*RA000670R
VR3		4822 101 11757	Trim-Res. 200K(B)-H	*RA000710R
Coil				
T1		4822 157 71881	Coil AM-ANT	*TC000150R
T2		4822 157 71888	Coil AM-OSC	*TC000160R
T3		4822 157 71896	Coil AM-IFT	*TC000200R
T4		4822 146 10773	Coil FM-DET-A	*TC000250R
T5		4822 146 10772	Coil FM-DET-B	*TC000260R
T6L/R		4822 157 11049	Coil MPX 19/38kHz	*TC000270R
Miscellaneous				
X1		4822 242 10735	Resonator 7.2MHz	*JX000390R
X2		4822 242 81117	CSB456F	FQ04563010
X3D	/02B	4822 242 10608	Resonator 4.332MHz	*JX000400R
CF1/CF3	U		10.7MA8-A-TF21	*FF100200R
	/01B/02B	4822 242 82235	10.7MS3GH-ATF21	*FF100210R
CF4		4822 157 11047	SFM2-450BL	*FF100220R
FE1		4822 210 10843	Front-End FTA4-460H	*AW000150R
L1C	/01B/02B	4822 157 71893	Coil 20.8mH	*LC106500R
CN100		nsp	B'D to B'D Wafer 2.5mm 15P	nsp
P.C.B. PROCESSOR PART				
Capacitor				
C501L/R		nsp	M-Cap. Box 100NF 63V J	nsp
C502L/R		nsp	M-Cap. Box 100NF 63V J	nsp
C503L/R		nsp	C-Cap. Chip 100PF 50V	nsp
C504L/R		nsp	E-Cap. 2.2UF 50V M	nsp
C505L/R		nsp	E-Cap. 2.2UF 50V M	nsp
C506L/R		nsp	E-Cap. 4.7UF 50V M	nsp
C507		nsp	C-Cap. Chip 100PF 50V	nsp
C508L/R		nsp	E-Cap. 4.7UF 50V M	nsp
C509L/R		nsp	C-Cap. Chip 100PF 50V	nsp
C510L/R		nsp	E-Cap. 0.47UF 50V M	nsp
C511L/R		nsp	C-Cap. Chip 22PF 50V	nsp
C512L/R		nsp	E-Cap. 4.7UF 50V M	nsp
C513L/R		nsp	C-Cap. Chip 100NF 50V	nsp
C514L/R		nsp	E-Cap. 4.7UF 50V M	nsp
C516		nsp	E-Cap. 47UF 25V M	nsp
C517L/R		nsp	E-Cap. 10UF 50V M	nsp
C518D/RD	/01B/02B	nsp	C-Cap. Tubular 100PF 50V J	nsp
C519		nsp	E-Cap. 47UF 25V M	nsp
C520		nsp	E-Cap. 1UF 50V M	nsp
C521-C523		nsp	E-Cap. 47UF 25V M	nsp
C524		nsp	C-Cap. Chip 100PF 50V	nsp
C525		nsp	E-Cap. 2.2UF 50V M	nsp
C526		nsp	M-Cap. Box 220NF 63V J	nsp
C527		nsp	M-Cap. Box 100NF 63V J	nsp
C528		nsp	C-Cap. Chip 100PF 50V	nsp
C529		nsp	E-Cap. 2.2UF 50V M	nsp
C530-C531		nsp	E-Cap. 4.7UF 50V M	nsp
C532		nsp	C-Cap. Chip 100PF 50V	nsp
C533		nsp	C-Cap. Chip 100NF 50V	nsp

POS. NO.	VERS. COLOR	PART NO. (PCS)	DESCRIPTION	PART NO. (MJI)
C534		nsp	E-Cap. 0.47UF 50V M	nsp
C535		nsp	C-Cap. Chip 22PF 50V	nsp
C536-C537		nsp	E-Cap. 4.7UF 50V M	nsp
C538-C539		nsp	C-Cap. Chip 100PF 50V	nsp
C540		nsp	E-Cap. 10UF 50V M	nsp
C541D	/01B/02B	nsp	C-Cap. Tubular 100PF 50V J	nsp
C542		nsp	C-Cap. Tubular 100PF 50V J	nsp
C543LD/RD	/01B/02B	nsp	C-Cap. Tubular 100PF 50V J	nsp
C544L/R		nsp	M-Cap. Box 100NF 63V J	nsp
C545L/R		nsp	M-Cap. Box 100NF 63V J	nsp
C546L/R		nsp	C-Cap. Chip 100PF 50V	nsp
C547L/R		nsp	E-Cap. 2.2UF 50V M	nsp
C548L/R		nsp	E-Cap. 2.2UF 50V M	nsp
C549L/R		nsp	E-Cap. 2.2UF 50V M	nsp
C550L/R		nsp	C-Cap. Chip 100PF 50V	nsp
C551L/R		nsp	E-Cap. 2.2UF 50V M	nsp
C552L/R		nsp	C-Cap. Chip 100PF 50V	nsp
C553L/R		nsp	C-Cap. Chip 100NF 50V	nsp
C554L/R		nsp	E-Cap. 0.47UF 50V M	nsp
C555L/R		nsp	C-Cap. Chip 22PF 50V	nsp
C556L/R		nsp	E-Cap. 4.7UF 50V M	nsp
C557L/R		nsp	C-Cap. Chip 100PF 50V	nsp
C558L/R		nsp	E-Cap. 4.7UF 50V M	nsp
C560L/R		nsp	E-Cap. 10UF 50V M	nsp
C561LD/RD	/01B/02B	nsp	C-Cap. Tubular 100PF 50V J	nsp
C562		nsp	E-Cap. 47UF 25V M	nsp
C563		nsp	C-Cap. Chip 100PF 50V	nsp
C564		nsp	C-Cap. Tubular 100NF 50V Z	nsp
C565L/R		nsp	C-Cap. Chip 1NF 50V	nsp
C566-C567		nsp	E-Cap. 2.2UF 50V M	nsp
C568-C569		nsp	M-Cap. Box 27NF 63V J	nsp
C570		nsp	E-Cap. 2.2UF 50V M	nsp
C571		nsp	C-Cap. Chip 100PF 50V	nsp
C572		nsp	C-Cap. Chip 100NF 50V	nsp
C573		nsp	E-Cap. 0.47UF 50V M	nsp
C574		nsp	C-Cap. Chip 22PF 50V	nsp
C575-C576		nsp	E-Cap. 4.7UF 50V M	nsp
C577		nsp	C-Cap. Chip 100PF 50V	nsp
C579		nsp	E-Cap. 10UF 50V M	nsp
C580D	/01B/02B	nsp	C-Cap. Tubular 100PF 50V J	nsp
C581		nsp	C-Cap. Tubular 100NF 50V Z	nsp
C582L/R		nsp	C-Cap. Tubular 220PF 50V J	nsp
C583		nsp	C-Cap. Tubular 220PF 50V J	nsp
C584		nsp	C-Cap. Chip 5.6NF 50V	nsp
Connector				
CN203		nsp	CNT Assy 10P 220mm	nsp
CN501		nsp	B'D to B'D Wafer 2.0mm 19P	nsp
CN502		nsp	B'D to B'D Wafer 2.0mm 15P	nsp
CN503		nsp	CNT Plug AC 1P	nsp
CP602		nsp	Wafer 2.0mm 9P	nsp
Diode				
D501-D509		4822 130 30621	1N4148	QP13030621
D510		4822 130 82703	UZ5.1BSB Diode Zener	*HD301080R
IC				
IC501		4822 209 32553	LC7822 (LC78212)	HC10309030
IC502		5322 209 13486	MC14053BD	*HC104630R
IC503-IC505		4822 209 31618	LC7536	*HC104390R
IC506-IC507		4822 209 73064	NJM2068DD	HC10053090
IC509-IC510		4822 209 33468	NJM4580L	*HC104400R
IC511-IC512		4822 209 73064	NJM2068DD	HC10053090
IC513		4822 209 33468	NJM4580L	*HC104400R
IC514		4822 209 73064	NJM2068DD	HC10053090
IC515		4822 209 33468	NJM4580L	*HC104400R
IC516-IC517		4822 209 73064	NJM2068DD	HC10053090
IC518-IC519		4822 209 33468	NJM4580L	*HC104400R
Transistor				
Q501-Q504		4822 130 62787	DTA114YS	*BA000190R
Q505L/R		4822 130 11489	KTD1302	*HT400370R
Q506-Q507		4822 130 11489	KTD1302	*HT400370R
Q508L/R		4822 130 11489	KTD1302	*HT400370R
Q509L/R		4822 130 43546	2SK117Y	HF201172B0
Q510L/R		4822 130 43546	2SK117Y	HF201172B0
Resistor				
R500		nsp	Carbon Film Chip 820K ohm 1/10W	nsp
R501L/R		nsp	Carbon Film Chip 100K ohm 1/10W	nsp
R502L/R		nsp	Carbon Film Chip 22K ohm 1/10W	nsp
R503L/R		nsp	Carbon Film Chip 10K ohm 1/10W	nsp

NOTE: nsp = PART IS LISTED FOR REFERENCE ONLY, MARANTZ WILL NOT SUPPLY THESE PARTS.

POS. NO.	VERS. COLOR	PART NO. (PCS)	DESCRIPTION	PART NO. (MJI)
R504L/R	nsp		Carbon Film Chip 100K ohm 1/10W	nsp
R505L/R	nsp		Carbon Film Chip 100K ohm 1/10W	nsp
R506L/R	nsp		Carbon Film Chip 10K ohm 1/10W	nsp
R507L/R	nsp		Carbon Film Chip 220K ohm 1/10W	nsp
R508L/R	nsp		Carbon Film Chip 56K ohm 1/10W	nsp
R509L/R	nsp		Carbon Film Chip 4.7K ohm 1/10W	nsp
R510	nsp		Carbon Film Chip 100K ohm 1/10W	nsp
R511L/R	nsp		Carbon Film Chip 470 ohm 1/10W	nsp
R512~R513	nsp		Metal Film 47 ohm 1/5W	nsp
R514L/R	nsp		Carbon Film Chip 100K ohm 1/10W	nsp
R515L/R	nsp		Carbon Film Chip 820K ohm 1/10W	nsp
R516L/R	nsp		Carbon Film Chip 100K ohm 1/10W	nsp
R517~R518	nsp		Metal Film 1K ohm 1/5W	nsp
R519L/R	nsp		Carbon Film Chip 1K ohm 1/10W	nsp
R520L/R	nsp		Metal Film 2.2K ohm 1/5W	nsp
R521	nsp		Carbon Film 100K ohm 1/5W	nsp
R522	nsp		Metal Film 47 ohm 1/5W	nsp
R523	nsp		Carbon Film Chip 100K ohm 1/10W	nsp
R524	nsp		Carbon Film Chip 10K ohm 1/10W	nsp
R525	nsp		Carbon Film Chip 22K ohm 1/10W	nsp
R526	nsp		Carbon Film Chip 100K ohm 1/10W	nsp
R527	nsp		Carbon Film Chip 1.5K ohm 1/10W	nsp
R528	nsp		Carbon Film Chip 22K ohm 1/10W	nsp
R529~R530	nsp		Carbon Film Chip 100K ohm 1/10W	nsp
R531L/R	nsp		Carbon Film Chip 1K ohm 1/10W	nsp
R532	nsp		Carbon Film Chip 1K ohm 1/10W	nsp
R533	nsp		Metal Film 47 ohm 1/5W	nsp
R534	nsp		Metal Film 2.2K ohm 1/5W	nsp
R535~R536	nsp		Carbon Film Chip 100K ohm 1/10W	nsp
R537~R538	nsp		Carbon Film Chip 33K ohm 1/10W	nsp
R539	nsp		Carbon Film Chip 10K ohm 1/10W	nsp
R540~R541	nsp		Carbon Film Chip 33K ohm 1/10W	nsp
R542	nsp		Carbon Film Chip 5.6K ohm 1/10W	nsp
R543	nsp		Carbon Film Chip 4.7K ohm 1/10W	nsp
R544	nsp		Carbon Film Chip 82K ohm 1/10W	nsp
R545	nsp		Carbon Film 15K ohm 1/5W	nsp
R546	nsp		Carbon Film Chip 51K ohm 1/10W	nsp
R547L/R	nsp		Carbon Film Chip 1K ohm 1/10W	nsp
R548	nsp		Carbon Film Chip 100K ohm 1/10W	nsp
R549L/R	nsp		Carbon Film 3.3M ohm 1/5W	nsp
R550L/R	nsp		Carbon Film 3.3M ohm 1/5W	nsp
R551	nsp		Carbon Film Chip 100K ohm 1/10W	nsp
R552	nsp		Carbon Film Chip 1.2K ohm 1/10W	nsp
R553	nsp		Carbon Film Chip 6.2K ohm 1/10W	nsp
R554	nsp		Carbon Film Chip 4.7K ohm 1/10W	nsp
R555	nsp		Metal Film 2.2K ohm 1/5W	nsp
R556L/R	nsp		Carbon Film Chip 100K ohm 1/10W	nsp
R557L/R	nsp		Carbon Film Chip 10K ohm 1/10W	nsp
R558L/R	nsp		Carbon Film Chip 22K ohm 1/10W	nsp
R559L/R	nsp		Carbon Film Chip 100K ohm 1/10W	nsp
R560L/R	nsp		Carbon Film Chip 100K ohm 1/10W	nsp
R561L/R	nsp		Carbon Film Chip 1.5K ohm 1/10W	nsp
R562L/R	nsp		Carbon Film Chip 22K ohm 1/10W	nsp
R563L/R	nsp		Carbon Film Chip 100K ohm 1/10W	nsp
R564L/R	nsp		Carbon Film Chip 820K ohm 1/10W	nsp
R565L/R	nsp		Carbon Film Chip 100K ohm 1/10W	nsp
R566	nsp		Carbon Film Chip 1K ohm 1/10W	nsp
R567L/R	nsp		Carbon Film Chip 1K ohm 1/10W	nsp
R568L/R	nsp		Carbon Film Chip 4.7K ohm 1/10W	nsp
R569L/R	nsp		Metal Film 2.2K ohm 1/5W	nsp
R570~R573	nsp		Carbon Film 15K ohm 1/5W	nsp
R574	nsp		Metal Film 2.2K ohm 1/5W	nsp
R575	nsp		Carbon Film 10K ohm 1/5W	nsp
R576	nsp		Metal Film 1K ohm 1/5W	nsp
R577	nsp		Metal Film 1K ohm 1/5W	nsp
R578	nsp		Carbon Film 10K ohm 1/5W	nsp
R579	nsp		Metal Film 4.7K ohm 1/5W	nsp
R580L/R	nsp	4822 052 10471	Metal Film 470 ohm 1/5W	GG05471160
R581L/R	nsp		Metal Film 47 ohm 1/5W	nsp
R582L/R	nsp		Carbon Film Chip 560 ohm 1/10W	nsp
R583	nsp		Carbon Film Chip 5.6K ohm 1/10W	nsp
R584	nsp		Carbon Film Chip 3.9K ohm 1/10W	nsp
R585	nsp		Metal Film 47 ohm 1/5W	nsp
R586	nsp		Carbon Film Chip 33K ohm 1/10W	nsp
R587	nsp		Metal Film 4.7K ohm 1/5W	nsp
R588	nsp		Carbon Film Chip 1K ohm 1/10W	nsp
R589L/R	nsp		Carbon Film Chip 100K ohm 1/10W	nsp
R590	nsp		Carbon Film Chip 4.7K ohm 1/10W	nsp
R591	nsp		Metal Film 47 ohm 1/5W	nsp
R592L/R	nsp		Carbon Film Chip 3.9K ohm 1/10W	nsp
R593	nsp		Carbon Film Chip 820K ohm 1/10W	nsp

POS. NO.	VERS. COLOR	PART NO. (PCS)	DESCRIPTION	PART NO. (MJI)
P.C.B. MAIN PART				
Capacitor				
C101		nsp	C-Cap. SAFETY 0.0047/400VA	nsp
C102~C104	/01B	nsp	M-Cap. 47NF 100V J	nsp
C105B		nsp	E-Cap. 220UF 50V M	nsp
C107		nsp	E-Cap. 330UF 25V M	nsp
C108		nsp	C-Cap. Disc 100NF 50V Z	nsp
C109		nsp	E-Cap. 1UF 50V M	nsp
C110		nsp	E-Cap. 100UF 35V M	nsp
▲ C111~C112		4822 124 12327	E-Cap. 10000UF 63V M	*EA000750R
C113		nsp	E-Cap. 1UF 50V M	nsp
C114		nsp	E-Cap. 1000UF 10V M	nsp
C115~C118		nsp	M-Cap. 100NF 250V K	nsp
C119		nsp	E-Cap. 1UF 50V M	nsp
C122~C124		nsp	M-Cap. 100NF 250V K	nsp
C127~C128		nsp	M-Cap. 47NF 100V J	nsp
▲ C130~C131		4822 124 21829	E-Cap. 2200UF 35V M	EA22803510
C132		nsp	E-Cap. 1UF 50V M	nsp
C133		nsp	C-Cap. Disc 100NF 50V Z	nsp
C134		nsp	E-Cap. 1UF 50V M	nsp
C135		nsp	C-Cap. Disc 100NF 50V Z	nsp
C136~C138		nsp	M-Cap. 47NF 100V J	nsp
▲ C139		4822 124 12328	E-Cap. 6800UF 16V M	*EA000740R
▲ C140		4822 124 12328	E-Cap. 6800UF 16V M	*EA000740R
C141		nsp	E-Cap. 1UF 50V M	nsp
C142		nsp	C-Cap. Disc 100NF 50V Z	nsp
C143		nsp	E-Cap. 1UF 50V M	nsp
C144		nsp	C-Cap. Disc 100NF 50V Z	nsp
C145		nsp	E-Cap. 1UF 50V M	nsp
C146		nsp	C-Cap. Disc 100NF 50V Z	nsp
C151		nsp	E-Cap. 1UF 50V M	nsp
C152		nsp	E-Cap. 470UF 6.3V M	nsp
Connector				
CN151		nsp	Wafer 7.92mm 2P	nsp
CP100		nsp	B'D to B'D Plug 2.5mm 15P	nsp
CP101		nsp	Wafer 7.92mm 4P	nsp
CP102		nsp	Wafer 2.5mm 6P	nsp
CP103		nsp	Wafer 2.5mm 4P	nsp
CP111		nsp	Wafer 7.92mm 2P 10A	nsp
CP141		nsp	Wafer 2.5mm 2P	nsp
PS01		4822 117 12656	Posistor Ass'y 180mm	*HP000040R
CP201		nsp	Wafer 2.5mm 8P	nsp
CP202		nsp	Wafer 2.5mm 7P	nsp
CP301		nsp	FPC Plug 1.25mm 31P	nsp
CP302		nsp	Wafer 2.0mm 7P	nsp
CP401		nsp	B'D to B'D Plug 2.0mm 11P	nsp
CP402		nsp	B'D to B'D Plug 2.0mm 8P	nsp
CP451		nsp	B'D to B'D Plug 2.0mm 16P	nsp
CP501		nsp	B'D to B'D Plug 2.0mm 19P	nsp
CP502		nsp	B'D to B'D Plug 2.0mm 15P	nsp
CP503		nsp	CNT Ass'y 1P 300mm	nsp
CP751D		nsp	Wafer 7.92mm 2P	nsp
CP801		nsp	B'D to B'D Plug 2.0mm 11P	nsp
CP901		nsp	B'D to B'D Plug 2.5mm 11P	nsp
Diode				
▲ D101~D106		4822 130 31878	1N4003	HD200010AR
D107		4822 130 70043	UZ4.3BSB Diode Zener	*HD301070R
▲ D108~D109		4822 130 30621	1N4148	QP13030621
D110~D111		4822 130 70046	UZ9.1BSC Diode Zener	*HD301100R
D112		4822 130 10878	UZ12BSC Diode Zener	*HD301300R
D113		4822 130 10879	UZ7.5BSC Diode Zener	*HD301330R
D114		4822 130 30621	1N4148	QP13030621
D115	/01B	4822 130 10878	UZ12BSC Diode Zener	*HD301300R
▲ D116~D117		4822 130 11491	SBA60	*HE200180R
▲ D119~D128		4822 130 31878	1N4003	HD200010AR
D129		4822 130 70046	UZ9.1BSC Diode Zener	*HD301100R
D130		4822 130 30621	1N4148	QP13030621
D131B	/01B	4822 130 30621	1N4148	QP13030621
Fuse				
▲ F101	U	nsp	Fuse SB 6A 125V	*FS000260R
▲ F101	/01B/02B	4822 070 34002	Fuse T 4A 250V	*FS000520R
▲ F102D	/01B/02B	4822 070 32002	Fuse T 2A 250V	*FS000490R
▲ F103	U	nsp	Fuse SB 315mA 125V	*FS000340R
▲ F103	/01B/02B	4822 070 33151	Fuse T 315mA 250V	*FS000510R
▲ F104~F105	U	nsp	Fuse SB 1A 125V	*FS000240R
▲ F104~F105	/01B/02B	4822 070 31002	Fuse T 1A 250V	*FS000280R
▲ F106~F107	U	nsp	Fuse SB 1.5A 125V	*FS000470R
▲ F106~F107	/01B/02B	4822 070 31602	Fuse T 1.6A 250V	*FS000480R

NOTE: nsp = PART IS LISTED FOR REFERENCE ONLY, MARANTZ WILL NOT SUPPLY THESE PARTS.

(VERS. : VERSION, U: USA, F: Japan, K: Far East, /XX: Europe)

POS. NO.	VERS. COLOR	PART NO. (PCS)	DESCRIPTION	PART NO. (MJJ)
IC				
▲ IC101		4822 209 91033	KIA7815	*HC300150R
▲ IC102		4822 209 17165	KIA7915	*HC300200R
▲ IC103-IC104		4822 209 90086	KIA7805	*HC300140R
▲ IC105		4822 209 17166	KIA7905	*HC300190R
▲ IC107		4822 209 91031	KIA7806	*HC300120R
Transistor				
Q101	/01B	4822 130 62503	DTC114YS	*BA000210R
Q105			2SD2059	*HT400360R
Q140		4822 130 62503	DTA114YS	*BA000210R
Q141		4822 130 11482	BKTA1267	*HT100330R
Q142-Q143		4822 130 42431	2SC1740S	HT317402F0
Q164		4822 130 11483	BKTC3199	QP13010103
Q165		4822 130 62503	DTA114YS	*BA000210R
Resistor				
R101	U	nsp	3M3(1/2W)	RC05471010
R102		4822 052 10471	Metal Film 470 ohm 1/5W	GG05471160
R103		nsp	Carbon Film 10K ohm 1/5W	nsp
R104		nsp	Carbon Film 1M ohm 1/5W	nsp
R105		nsp	Carbon Film 100K ohm 1/5W	nsp
▲ R106		4822 053 11109	Metal Film 10 ohm 2W	GA05100020
▲ R107		nsp	Carbon Film 15K ohm 1/5W	nsp
▲ R108		4822 053 10331	Metal Film 330 ohm 1W	GA05331010
R109		nsp	Carbon Film 1M ohm 1/5W	nsp
R110		nsp	Carbon Film 100K ohm 1/5W	nsp
▲ R111-R112	U	nsp	Metal Film 22 ohm 2W	GA05220020
▲ R111-R112	/01B/02B	4822 053 11569	Metal Film 5.6 ohm 2W	GA05560020
▲ R113-R115		4822 053 11108	Metal Film 1 ohm 2W	GA05010020
R117		nsp	Metal Film 1K ohm 1/5W	nsp
▲ R118-R119		4822 052 10471	Metal Film 470 ohm 1/5W	GG05471160
R120		nsp	Metal Film 4.7K ohm 1/5W	nsp
R121B		nsp	Carbon Film 2.2K ohm 1/4W	nsp
▲ R141B		4822 053 10569	Metal Film 56 ohm 1W	GA05560010
R142S/RS		nsp	Carbon Film 22K ohm 1/5W	nsp
R143		nsp	Carbon Film 22K ohm 1/5W	nsp
R144		nsp	Metal Film 4.7K ohm 1/5W	nsp
R145		nsp	Carbon Film 100K ohm 1/5W	nsp
R146		nsp	Carbon Film 68K ohm 1/5W	nsp
R147		nsp	Metal Film 3.3K ohm 1/5W	nsp
R148		nsp	Metal Film 1.5K ohm 1/5W	nsp
R149		nsp	Metal Film 1K ohm 1/5W	nsp
Miscellaneous				
▲ RLY101		4822 280 80794	SDT-SS-112DM	*LY000120R
▲ TRS101	U	nsp	ST-BY Trans. 120V	*TS000830R
▲ TRS101	/02B	4822 146 11079	ST-BY Trans. 230V	*TS000840R
▲ TRS101	/01B	nsp	ST-BY Trans. 115/230V	*TS000850R
▲ TRS102	U	nsp	Power Transformer 120V/60Hz	*TS000860R
▲ TRS102	/02B	4822 146 11081	Power Transformer 230V/50Hz	*TS000870R
▲ TRS102	/01B	nsp	Power Transformer 115V/230V	*TS000880R
P.C.B. INPUT PART				
Capacitor				
C401L/RD	/01B/02B	nsp	C-Cap. Tubular 100PF 50V J	nsp
-C410L/RD				
C411		nsp	E-Cap. 47UF 25V M	nsp
C412		nsp	E-Cap. 1UF 50V M	nsp
C414		nsp	E-Cap. 47UF 25V M	nsp
C417		nsp	C-Cap. Tubular 100PF 50V J	nsp
C418-C421		nsp	E-Cap. 47UF 25V M	nsp
C422L/R		nsp	E-Cap. 4.7UF 50V M	nsp
C423L/R		nsp	E-Cap. 4.7UF 50V M	nsp
C424L/R		nsp	E-Cap. 4.7UF 50V M	nsp
C425L/R		nsp	E-Cap. 4.7UF 50V M	nsp
C428L/R		nsp	E-Cap. 4.7UF 50V M	nsp
Connector				
CN401		nsp	B'D to B'D Wafer 2.0mm 11P	nsp
CN402		nsp	B'D to B'D Wafer 2.0mm 8P	nsp
Diode				
D401		4822 130 30621	1N4148	QP13030621
IC				
IC401		4822 209 72748	LC7821	HC10228030
IC402-IC403		4822 209 91029	KIA4559	*HC103590R
Resistor				
R401L/R		4822 052 10471	Metal Film 470 ohm 1/5W	GG05471160
R402L/R		4822 052 10471	Metal Film 470 ohm 1/5W	GG05471160

POS. NO.	VERS. COLOR	PART NO. (PCS)	DESCRIPTION	PART NO. (MJJ)
R403L/R		4822 052 10471	Metal Film 470 ohm 1/5W	GG05471160
R404L/R		4822 052 10471	Metal Film 470 ohm 1/5W	GG05471160
R405L/R		nsp	Metal Film 1K ohm 1/5W	nsp
R406		nsp	Metal Film 220 ohm 1/5W	nsp
R407		nsp	Carbon Film 100K ohm 1/5W	nsp
R408-R412		nsp	Metal Film 220 ohm 1/5W	nsp
R413-R415		nsp	Metal Film 1K ohm 1/5W	nsp
R416L/R		nsp	Carbon Film 100K ohm 1/5W	nsp
R417L/R		nsp	Carbon Film 100K ohm 1/5W	nsp
R418L/R		nsp	Carbon Film 100K ohm 1/5W	nsp
R419L/R		nsp	Carbon Film 100K ohm 1/5W	nsp
R427L/R		nsp	Carbon Film 100K ohm 1/5W	nsp
R430L/R		nsp	Metal Film 1K ohm 1/5W	nsp
R431L/R		nsp	Metal Film 1K ohm 1/5W	nsp
R432		nsp	Carbon Film 100K ohm 1/5W	nsp
R433L/R		4822 052 10471	Metal Film 470 ohm 1/5W	GG05471160
R434L/R		4822 052 10471	Metal Film 470 ohm 1/5W	GG05471160
R435L/R		nsp	Carbon Film 47K ohm 1/5W	nsp
R436		nsp	Carbon Film 100K ohm 1/5W	nsp
P.C.B. INPUT & VIDEO PART				
Capacitor				
C450L/RD	/01B/02B	nsp	C-Cap. Tubular 100PF 50V J	nsp
-C450L/RD				
C460		nsp	E-Cap. 47UF 25V M	nsp
C461		nsp	E-Cap. 1UF 50V M	nsp
C463		nsp	E-Cap. 47UF 25V M	nsp
C466-C470		nsp	C-Cap. Tubular 100PF 50V J	nsp
C470		nsp	C-Cap. Tubular 100NF 50V Z	nsp
C471		nsp	E-Cap. 47UF 25V M	nsp
C472		nsp	E-Cap. 10UF 50V M	nsp
C473		nsp	E-Cap. 47UF 25V M	nsp
C474-C475		nsp	E-Cap. 10UF 50V M	nsp
C477		nsp	E-Cap. 470UF 10V M	nsp
C478		nsp	C-Cap. Tubular 100NF 50V Z	nsp
C479		nsp	E-Cap. 33UF 25V M	nsp
C480		nsp	E-Cap. 470UF 10V M	nsp
C481		nsp	E-Cap. 33UF 25V M	nsp
C482		nsp	E-Cap. 470UF 10V M	nsp
C483-C484		nsp	E-Cap. 33UF 25V M	nsp
Connector				
CN451		nsp	B'D to B'D Wafer 2.0mm 16P	nsp
CP601		nsp	Wafer 2.0mm 5P	nsp
Diode				
D450-D451		4822 130 30621	1N4148	QP13030621
IC				
IC450		4822 209 72748	LC7821	HC10228030
IC451		4822 209 90745	BA7625	*HC103900R
IC452		4822 209 32216	MC14053BCP	*HC104380R
IC453		4822 209 15015	MC14094	*HC103850R
Transistor				
Q450-Q451		4822 130 11482	BKTA1267	*HT100330R
Resistor				
R451L/R		4822 052 10471	Metal Film 470 ohm 1/5W	GG05471160
R452L/R		4822 052 10471	Metal Film 470 ohm 1/5W	GG05471160
R453L/R		4822 052 10471	Metal Film 470 ohm 1/5W	GG05471160
R454L/R		4822 052 10471	Metal Film 470 ohm 1/5W	GG05471160
R455L/R		4822 052 10471	Metal Film 470 ohm 1/5W	GG05471160
R456		nsp	Metal Film 220 ohm 1/5W	nsp
R457		nsp	Carbon Film 100K ohm 1/5W	nsp
R458-R463		nsp	Metal Film 1K ohm 1/5W	nsp
R464-R469		nsp	Metal Film 3.3K ohm 1/5W	nsp
R470		nsp	Metal Film 220 ohm 1/5W	nsp
R471-R472		nsp	Metal Film 100 ohm 1/5W	nsp
R473-R478		nsp	Metal Film 75 ohm 1/5W	nsp
R479-R480		nsp	Metal Film 100 ohm 1/5W	nsp
P.C.B. SPEAKER PART				
Capacitor				
C901L/R/C		nsp	M-Cap. 47NF 100V J	nsp
C901S/RS		nsp	M-Cap. 47NF 100V J	nsp
C902L/RD/C	/01B/02B	nsp	C-Cap. Tubular 4.7NF 50V J	nsp
C902S/RS/C	/01B/02B	nsp	C-Cap. Tubular 4.7NF 50V J	nsp
C903L/RD/C	/01B/02B	nsp	C-Cap. Tubular 4.7NF 50V J	nsp
C903S/RS/C	/01B/02B	nsp	C-Cap. Tubular 4.7NF 50V J	nsp

NOTE: nsp = PART IS LISTED FOR REFERENCE ONLY, MARANTZ WILL NOT SUPPLY THESE PARTS.

POS. NO.	VERS. COLOR	PART NO. (PCS)	DESCRIPTION	PART NO. (MJI)
Resistor				
R901L/R/C		4822 053 11109	Metal Film 10 ohm 2W	GA05100020
R901SL/SR		4822 053 11109	Metal Film 10 ohm 2W	GA05100020
R902SL/SR		4822 053 10109	Metal Film 10 ohm 1W	GA05100010
Miscellaneous				
CP701OUT		nsp	B'D to B'D Wafer 2.5mm 11P	nsp
CN901		nsp	Wafer 3.96mm 4P	nsp
L901SL/SR		4822 157 71892	Coil 0.5uH	*LC106490R
P.C.B. VOL. SEL. PART				
Miscellaneous				
CP151	/01B	nsp	Wafer 7.92mm 4P	nsp
CP152	/01B	nsp	Wafer 7.92mm 2P	nsp
F151	/01B	4822 070 32002	CNT Assy 2P 160mm Fuse T 2A 250V	nsp *FS000490R
P.C.B. FRONT PART				
Capacitor				
C301		nsp	E-Cap. 10UF 50V M	nsp
C302		nsp	E-Cap. 0.1UF 50V M	nsp
C303		nsp	E-Cap. 47UF 16V M	nsp
C304		4822 124 12329	E-Cap. Back-up 0.047F 5.5V	*EX000040R
C305		nsp	E-Cap. SSE-Type 47UF 10V M	nsp
C306		nsp	C-Cap. Tubular 100NF 50V Z	nsp
C307-C308		nsp	M-Cap. 47NF 100V J	nsp
C309-C310		nsp	C-Cap. Tubular 100PF 50V J	nsp
C351-C352		nsp	C-Cap. Tubular 820PF 50V J	nsp
Connector				
CN301		nsp	FPC Plug Angle 1.25mm 31P	nsp
CN302		nsp	FPC Cable 1.25mm 31P Shield	nsp
CN303(CP303)		nsp	CNT Assy 7P 400mm CNT Assy 4P 80mm	nsp nsp
Diode				
D301-D314		4822 130 30621	1N4148	QP13030621
LED301-LED308		4822 130 11464	SLR-56URCF14 LED	*HI100780R
Transistor				
Q301-Q302		4822 130 61189	DTC114TS	BA20017210
Q303		4822 130 11483	BKTC3199	QP13010103
Q304-Q308		4822 130 61189	DTC114TS	BA20017210
Q309		4822 130 62787	DTA114YS	*BA000190R
Q311		4822 130 62503	DTC114YS	*BA000210R
Q312-Q315		4822 130 61723	DTC323TS	BA20028210
Resistor				
R301		nsp	Metal Film 180 ohm 1/5W	nsp
R302		nsp	Metal Film 180 ohm 1/5W	nsp
R303		nsp	Metal Film 330 ohm 1/5W	nsp
R304-R305		nsp	Metal Film 180 ohm 1/5W	nsp
R306		nsp	Carbon Film 10K ohm 1/5W	nsp
R307		nsp	Metal Film 180 ohm 1/5W	nsp
R308		nsp	Carbon Film 10K ohm 1/5W	nsp
R309		nsp	Metal Film 180 ohm 1/5W	nsp
R310		nsp	Carbon Film 10K ohm 1/5W	nsp
R311		nsp	Metal Film 47 ohm 1/5W	nsp
R312		nsp	Carbon Film 100K ohm 1/5W	nsp
R313-R314		nsp	Metal Film 180 ohm 1/5W	nsp
R315-R316		nsp	Carbon Film 10K ohm 1/5W	nsp
R317		nsp	Carbon Film 22K ohm 1/5W	nsp
R318		nsp	Carbon Film 10K ohm 1/5W	nsp
R319-R326		nsp	Carbon Film 100K ohm 1/5W	nsp
R327	/01B/02B	nsp	Carbon Film 100K ohm 1/5W	nsp
R328	U	nsp	Carbon Film 100K ohm 1/5W	nsp
R329		nsp	Carbon Film 10K ohm 1/5W	nsp
R330		nsp	Carbon Film 22K ohm 1/5W	nsp
R332	U/01B	nsp	Carbon Film 100K ohm 1/5W	nsp
R333		nsp	Carbon Film 100K ohm 1/5W	nsp
R334	/02B	nsp	Carbon Film 100K ohm 1/5W	nsp
R335		nsp	Carbon Film 10K ohm 1/5W	nsp
R336		nsp	Carbon Film 100K ohm 1/5W	nsp
R337		nsp	Carbon Film 10K ohm 1/5W	nsp
R338		nsp	Carbon Film 68K ohm 1/5W	nsp
R339		nsp	Carbon Film 10K ohm 1/5W	nsp
R340		nsp	Carbon Film 68K ohm 1/5W	nsp
R341		nsp	Carbon Film 10K ohm 1/5W	nsp
R343-R344		nsp	Carbon Film 100K ohm 1/5W	nsp
R345		nsp	Carbon Film 10K ohm 1/5W	nsp
R347-R351		nsp	Carbon Film 100K ohm 1/5W	nsp

POS. NO.	VERS. COLOR	PART NO. (PCS)	DESCRIPTION	PART NO. (MJI)
Miscellaneous				
FL301		4822 209 17164	FIP8DM7R	*HQ300290R
IC301		4822 209 17173	Main C.P.U.	*HC104410R
X-TAL/R301		4822 242 10986	Resonator 10MHz	*FQ000350R
W601		nsp	Lug Wire	nsp
P.C.B. TONE PART				
Capacitor				
C601L/R		nsp	E-Cap. SSE-Type 4.7UF 16V M	nsp
C602L/R		nsp	C-Cap. Tubular 47PF 50V J	nsp
C603L/R		nsp	E-Cap. SSE-Type 10UF 16V M	nsp
C604L/R		nsp	E-Cap. SSE-Type 10UF 16V M	nsp
C605L/R		nsp	M-Cap. Box 82NF 63V J	nsp
C606L/R		nsp	M-Cap. Box 15NF 63V J	nsp
C607L/R		nsp	M-Cap. Box 22NF 63V J	nsp
C608L/R		nsp	M-Cap. Box 3.3NF 63V J	nsp
C611L/R		nsp	E-Cap. SSE-Type 10UF 16V M	nsp
C613-C614		nsp	E-Cap. SSE-Type 22UF 16V M	nsp
Connector				
CN602		nsp	Wafer 2.0mm 9P	nsp
		nsp	CNT Assy 9P 400mm	nsp
Resistor				
R601L/R		nsp	Carbon Film 100K ohm 1/5W	nsp
R602L/R		nsp	Carbon Film 1M ohm 1/5W	nsp
R603L/R		nsp	Carbon Film 47K ohm 1/5W	nsp
R608L/R		nsp	Metal Film 3.3K ohm 1/5W	nsp
R609L/R		nsp	Carbon Film 22K ohm 1/5W	nsp
R610L/R		nsp	Metal Film 560 ohm 1/5W	nsp
R611L/R		nsp	Metal Film 2.2K ohm 1/5W	nsp
R612L/R		nsp	Metal Film 1.8K ohm 1/5W	nsp
R613L/R		nsp	Carbon Film 100K ohm 1/5W	nsp
R616-R617		nsp	Metal Film 220 ohm 1/5W	nsp
Miscellaneous				
IC601		4822 209 73064	NJM2068DD	HC10053090
P.C.B. AUX PART				
Capacitor				
C651LD/RD	/01B/02B	nsp	C-Cap. Tubular 100PF 50V J	nsp
C652LD/RD	/01B/02B	nsp	C-Cap. Tubular 100PF 50V J	nsp
C656		nsp	E-Cap. 33UF 25V M	nsp
Resistor				
R652L/R		4822 052 10471	Metal Film 470 ohm 1/5W	GG05471160
R653		nsp	Metal Film 75 ohm 1/5W	nsp
Miscellaneous				
CP601		nsp	Wafer 2.0mm 5P	nsp
		nsp	CNT Assy 5P 450mm	nsp
W651		nsp	Lug Wire	nsp
P.C.B. HP/SPK PART				
Capacitor				
C701LD/RD	/01B/02B	nsp	C-Cap. Tubular 560PF 50V J	nsp
C702		nsp	C-Cap. Tubular 100NF 50V Z	nsp
Resistor				
R701L/R		4822 053 11221	Metal Film 470 ohm 2W	GA05221020
R702LD/RD	/01B/02B	nsp	Carbon Film 15K ohm 1/5W	nsp
R703L/R		nsp	Carbon Film 22K ohm 1/5W	nsp
Miscellaneous				
CN701		nsp	CNT Assy 6P(2P+4P)	nsp
W701		nsp	Lug Wire	nsp
P.C.B. SW PUSH PART				
Connector				
CN751		nsp	CNT Assy 2P	nsp
		nsp	CNT Assy 2P	nsp
P.C.B. AMP PART				
Capacitor				
C201L/R/C		nsp	E-Cap. 47UF 16V M	nsp
C201SL/SR		nsp	E-Cap. 47UF 16V M	nsp
C202L/R/C		nsp	C-Cap. Tubular 100PF 50V J	nsp
C202SL/SR		nsp	C-Cap. Tubular 270PF 50V J	nsp
C203C		nsp	Not Used	
C203L/R		nsp	Not Used	
C203SL/SR		nsp	Not Used	
C204L/R/C		nsp	E-Cap. 1UF 50V M	nsp

NOTE: nsp = PART IS LISTED FOR REFERENCE ONLY, MARANTZ WILL NOT SUPPLY THESE PARTS.

(VERS.: VERSION, U: USA, F: Japan, K: Far East, /XX: Europe)

POS. NO.	VERS. COLOR	PART NO. (PCS)	DESCRIPTION	PART NO. (MUJ)
C204SL/SR		nsp	E-Cap. 1UF 50V M	nsp
C205L/R/C		nsp	E-Cap. 22UF 16V M	nsp
C205SL/SR		nsp	E-Cap. 22UF 16V M	nsp
C206L/R/C		nsp	E-Cap. 220UF 10V M	nsp
C206SL/SR		nsp	E-Cap. 220UF 10V M	nsp
C209L/R/C		nsp	E-Cap. 10UF 50V M	nsp
C209SL/SR		nsp	E-Cap. 10UF 50V M	nsp
C210L/R/C	4822 124 40751		E-Cap. for Audio 470UF 63V M	OA47706320
C210SL/SR	4822 124 40751		E-Cap. for Audio 470UF 63V M	OA47706320
C211L/R/C	4822 124 40751		E-Cap. for Audio 470UF 63V M	OA47706320
C211SL/SR	4822 124 40751		E-Cap. for Audio 470UF 63V M	OA47706320
C212L/R/C		nsp	E-Cap. 10UF 50V M	nsp
C212SL/SR		nsp	E-Cap. 10UF 50V M	nsp
C214L/R/C		nsp	C-Cap. Tubular 1PF 50V J	nsp
C214SL/SR		nsp	C-Cap. Tubular 1PF 50V J	nsp
C215L/R/C		nsp	C-Cap. Tubular 180PF 50V J	nsp
C215SL/SR		nsp	C-Cap. Tubular 180PF 50V J	nsp
C216L/R		nsp	E-Cap. 10UF 50V M	nsp
C218		nsp	E-Cap. 47UF 50V M	nsp
Connector				
CN201		nsp	CNT Assy 8P 80mm	nsp
CN202		nsp	CNT Assy 7P 80mm	nsp
CP201		nsp	Wafer 2.0mm 10P	nsp
CP202		nsp	Wafer 3.96mm 2P	nsp
Diode				
D201L/R/C	4822 130 30621	1N4148		QP13030621
D201SL/SR	4822 130 30621	1N4148		QP13030621
D202L/R/C	4822 130 30621	1N4148		QP13030621
D202SL/SR	4822 130 30621	1N4148		QP13030621
Transistor				
Q201L/R/C	4822 130 11484	KTA1268		*HT100340R
Q201SL/SR	4822 130 11484	KTA1268		*HT100340R
Q202L/R/C	4822 130 11484	KTA1268		*HT100340R
Q202SL/SR	4822 130 11484	KTA1268		*HT100340R
Q203L/R/C	4822 130 11484	KTA1268		*HT100340R
Q203SL/SR	4822 130 11484	KTA1268		*HT100340R
Q204L/R/C	4822 130 11484	KTA1268		*HT100340R
Q204SL/SR	4822 130 11484	KTA1268		*HT100340R
Q205L/R/C	4822 130 43233	KTC3200		HT322402A1
Q205SL/SR	4822 130 43233	KTC3200		HT322402A1
Q206L/R/C	4822 130 43233	KTC3200		HT322402A1
Q206SL/SR	4822 130 43233	KTC3200		HT322402A1
Q207L/R/C	4822 130 11484	KTA1268		*HT100340R
Q207SL/SR	4822 130 11484	KTA1268		*HT100340R
Q208L/R/C	4822 130 11485	2SA1360		*HT100350R
Q208SL/SR	4822 130 11485	2SA1360		*HT100350R
Q209L/R/C	4822 130 61009	2SC3423		*HT300500R
Q209SL/SR	4822 130 61009	2SC3423		*HT300500R
Q210L/R/C	4822 130 42431	2SC1740S		HT317402F0
Q210SL/SR	4822 130 42431	2SC1740S		HT317402F0
Q211L/R/C	4822 130 10856	2SC4883		*HT300450R
Q211SL/SR	4822 130 10856	2SC4883		*HT300450R
Q212L/R/C	4822 130 10855	2SA1859		*HT100270R
Q212SL/SR	4822 130 10855	2SA1859		*HT100270R
Q213L/R/C	4822 130 11486	2SC5200		*HT300520R
Q213SL/SR	4822 130 11486	2SC5200		*HT300520R
Q214L/R/C	4822 130 63119	2SA1943		*HT100370R
Q214SL/SR	4822 130 63119	2SA1943		*HT100370R
Q215L/R/C	4822 130 43233	KTC3200		HT322402A1
Q215SL/SR	4822 130 43233	KTC3200		HT322402A1
Resistor				
MRP201L/R/C	4822 117 13558	Cement MPR DUAL0.27 ohm	5W	*G0000001R
MRP201SL/SR	4822 117 13558	Cement MPR DUAL0.27 ohm	5W	*G0000001R
R201L/R/C		Metal Film 1K ohm	1/5W	nsp
R201SL/SR		Metal Film 1K ohm	1/5W	nsp
R202L/R/C		Carbon Film 33K ohm	1/5W	nsp
R202SL/SR		Carbon Film 33K ohm	1/5W	nsp
R203L/R/C		Metal Film 180 ohm	1/5W	nsp
R203SL/SR		Metal Film 180 ohm	1/5W	nsp
R204L/R/C		Metal Film 180 ohm	1/5W	nsp
R204SL/SR		Metal Film 180 ohm	1/5W	nsp
R205L/R/C		Metal Film 1.5K ohm	1/5W	nsp
R205SL/SR		Metal Film 1.5K ohm	1/5W	nsp
R206L/R/C		Metal Film 1.5K ohm	1/5W	nsp
R206SL/SR		Metal Film 1.5K ohm	1/5W	nsp
R207C		Not Used		
R207L/R/C		Not Used		
R207SL/SR		Not Used		

POS. NO.	VERS. COLOR	PART NO. (PCS)	DESCRIPTION	PART NO. (MUJ)
R208L/R/C		nsp	Carbon Film 18K ohm	1/5W nsp
R208SL/SR		nsp	Carbon Film 18K ohm	1/5W nsp
R209L/R/C		nsp	Metal Film 220 ohm	1/5W nsp
R209SL/SR		nsp	Metal Film 220 ohm	1/5W nsp
R210L/R/C		nsp	Carbon Film 10K ohm	1/5W nsp
R210SL/SR		nsp	Carbon Film 10K ohm	1/5W nsp
R211L/R/C		nsp	Carbon Film 43K ohm	1/5W nsp
R211SL/SR		nsp	Carbon Film 43K ohm	1/5W nsp
R212L/R/C		nsp	Carbon Film 1.3K ohm	1/5W nsp
R212SL/SR		nsp	Carbon Film 1.3K ohm	1/5W nsp
R213L/R/C		nsp	Carbon Film 33K ohm	1/5W nsp
R213SL/SR		nsp	Carbon Film 33K ohm	1/5W nsp
R214L/R/C		nsp	Metal Film 560 ohm	1/5W nsp
R214SL/SR		nsp	Metal Film 560 ohm	1/5W nsp
R215L/R/C		nsp	JUMPER	nsp
R215SL/SR		nsp	JUMPER	nsp
R216L/R/C		nsp	Metal Film 560 ohm	1/5W nsp
R216SL/SR		nsp	Metal Film 560 ohm	1/5W nsp
R217L/R/C		nsp	Metal Film 560 ohm	1/5W nsp
R217SL/SR		nsp	Metal Film 560 ohm	1/5W nsp
R218L/R/C		nsp	Metal Film 4.7K ohm	1/5W nsp
R218SL/SR		nsp	Metal Film 4.7K ohm	1/5W nsp
R219L/R/C		nsp	Metal Film 560 ohm	1/5W nsp
R219SL/SR		nsp	Metal Film 560 ohm	1/5W nsp
R220L/R/C		nsp	Metal Film 4.7K ohm	1/5W nsp
R220SL/SR		nsp	Metal Film 4.7K ohm	1/5W nsp
R221L/R/C		nsp	Metal Film 82 ohm	1/5W nsp
R221SL/SR		nsp	Metal Film 82 ohm	1/5W nsp
R222L/R/C		nsp	Metal Film 82 ohm	1/5W nsp
R222SL/SR		nsp	Metal Film 82 ohm	1/5W nsp
R223L/R/C		nsp	Carbon Film 22K ohm	1/5W nsp
R223SL/SR		nsp	Carbon Film 22K ohm	1/5W nsp
R224L/R/C		nsp	Carbon Film 22K ohm	1/5W nsp
R224SL/SR		nsp	Carbon Film 22K ohm	1/5W nsp
R225L/R/C		nsp	Carbon Film 2K ohm	1/5W nsp
R225SL/SR		nsp	Carbon Film 2K ohm	1/5W nsp
R226L/R/C		nsp	Metal Film 620 ohm	1/5W nsp
R226SL/SR		nsp	Metal Film 680 ohm	1/5W nsp
R227L/R/C		nsp	Metal Film 1.2K ohm	1/5W nsp
R227SL/SR		nsp	Metal Film 1.2K ohm	1/5W nsp
R228L/R/C		nsp	Metal Film 220 ohm	1/5W nsp
R228SL/SR		nsp	Metal Film 390 ohm	1/5W nsp
R229L/R/C		nsp	Metal Film 75 ohm	1/5W nsp
R229SL/SR		nsp	Metal Film 220 ohm	1/5W nsp
R230L/R/C		nsp	Metal Film 82 ohm	1/5W nsp
R230SL/SR		nsp	Metal Film 82 ohm	1/5W nsp
R231L/R/C		nsp	Metal Film 3.3 ohm	1/5W nsp
R231SL/SR		nsp	Metal Film 3.3 ohm	1/5W nsp
R232L/R/C		nsp	Metal Film 3.3 ohm	1/5W nsp
R232SL/SR		nsp	Metal Film 3.3 ohm	1/5W nsp
R233L/R/C		nsp	Metal Film 1.8K ohm	1/5W nsp
R233SL/SR		nsp	Metal Film 1.8K ohm	1/5W nsp
R234L/R/C		nsp	Carbon Film 2K ohm	1/5W nsp
R234SL/SR		nsp	Carbon Film 2K ohm	1/5W nsp
R235L/R/C		nsp	Metal Film 910 ohm	1/5W nsp
R235SL/SR		nsp	Metal Film 910 ohm	1/5W nsp
R236L/R/C		nsp	Carbon Film 6.8K ohm	1/5W nsp
R236SL/SR		nsp	Carbon Film 6.8K ohm	1/5W nsp
R237L/R/C		nsp	Metal Film 39 ohm	1/5W nsp
R238L/R/C		nsp	Metal Film 39 ohm	1/5W nsp
R239L/R/C		nsp	Metal Film 39 ohm	1/5W nsp
R240L/R/C		nsp	Metal Film 39 ohm	1/5W nsp
R243		nsp	Metal Film 560 ohm	1/5W nsp
R245L/R		nsp	Carbon Film 22K ohm	1/5W nsp
R246		nsp	Metal Film 560 ohm	1/5W nsp
Miscellaneous				
GND201				
L201L/R/C	4822 157 71892	Coil	0.5UH	*LC106490R
TH201L/R/C	4822 117 13557	Thermistor	3 K ohm	*HH000080R
TH201SL/SR	4822 117 13557	Thermistor	3 K ohm	*HH000080R
P.C.B. SS-2 PART				
Capacitor				
C941		nsp	E-Cap. 1UF 50V M	nsp
C942-C944		nsp	E-Cap. 10UF 50V M	nsp
C945		nsp	E-Cap. 4.7UF 50V M	nsp
C946-C952		nsp	C-Cap. Tubular 1NF 50V J	nsp
Connector				
CP941		nsp	Wafer 2.5mm 6P	nsp
		nsp	CNT Assy 6P 320mm	nsp

NOTE: nsp = PART IS LISTED FOR REFERENCE ONLY, MARANTZ WILL NOT SUPPLY THESE PARTS.

(VERS. : VERSION, U: USA, F: Japan, K: Far East, /XX: Europe)

POS. NO.	VERS. COLOR	PART NO. (PCS)	DESCRIPTION	PART NO. (MJI)
Diode				
D941~D991		4822 130 30621	1N4148	QP13030621
D992~D993		4822 130 11488	UZ3.3BSB Diode Zener	*HD301470R
D994		4822 130 30621	1N4148	QP13030621
IC				
IC941~IC945		4822 209 10247	HEF4011B	*HC104420R
IC946		4822 209 10253	HEF4024B	*HC104610R
IC947~IC949		4822 209 10247	HEF4011B	*HC104420R
Transistor				
Q941		4822 130 61189	DTC114TS	BA20017210
Q942~Q944		4822 130 11487	KTC3198	*HT300540R
Q945		4822 130 61189	DTC114TS	BA20017210
Q946~Q948		4822 130 42715	BKTA1266	HT10001000
Q949		4822 130 61189	DTC114TS	BA20017210
Q950		4822 130 11487	KTC3198	*HT300540R
Resistor				
R941~R945	nsp		Carbon Film 10K ohm 1/5W	nsp
R946	nsp		Carbon Film 1M ohm 1/5W	nsp
R947	nsp		Metal Film 330 ohm 1/5W	nsp
R948~R950	nsp		Carbon Film 10K ohm 1/5W	nsp
R951	nsp		Carbon Film 100K ohm 1/5W	nsp
R952~R953	nsp		Carbon Film 10K ohm 1/5W	nsp
R954	nsp		Carbon Film 100K ohm 1/5W	nsp
R955~R956	nsp		Carbon Film 10K ohm 1/5W	nsp
R957	nsp		Carbon Film 100K ohm 1/5W	nsp
R958	nsp		Metal Film 1K ohm 1/5W	nsp
R959	nsp		Carbon Film 10K ohm 1/5W	nsp
R960	nsp		Carbon Film 18K ohm 1/5W	nsp
R961~R962	nsp		Carbon Film 10K ohm 1/5W	nsp
R963	nsp		Metal Film 2.2K ohm 1/5W	nsp
R964	nsp		Carbon Film 100K ohm 1/5W	nsp
R965~R968	nsp		Carbon Film 10K ohm 1/5W	nsp
R982	nsp		Metal Film 2.2K ohm 1/5W	nsp

NOTE: nsp = PART IS LISTED FOR REFERENCE ONLY, MARANTZ WILL NOT SUPPLY THESE PARTS.